

User Manual

English
Français



in.clear™
clean water done right

Low maintenance
No chlorine
No chemicals to add





in.clear™ Model No. 0605-500002

Bromine based water sanitization system for spas
(using Bromitron Bromine Generator Technology)

Automatic Bromine Generator

For Spa Sanitizing

DOMESTIC

A maximum of 2000 Liters of water can be treated with one in.clear Automatic Bromine Generator unit.

Maximum output of Hypobromous Acid equivalent to 0.04 kg of free available bromine per day.

For spas, a range of 3 – 5 ppm of free available bromine must be maintained.

READ THE LABEL AND OPERATION/INSTALLATION MANUAL BEFORE USING THIS DEVICE

KEEP OUT OF REACH OF CHILDREN

REGISTRATION No. 29628 PEST CONTROL PRODUCT ACT

WARNING: Operating the in.clear Automatic Bromine Generator without
water flow through the cell can cause a buildup of flammable gases which can result in FIRE or EXPLOSION.

NOTICE TO USER:

This pest control product is to be used only in accordance with the instructions shown on the label. Any use not in accordance with these instructions is an offence under the Pest Control Products Act. The user assumes the risk to persons or property arising from the use of this product.

Gecko Alliance Group Inc.
450, Des Canetons, Québec (Québec)
Canada G2E 5W6
800-784-3256 ext. 350
418-872-4411 ext. 350



Table of contents

Warnings	4
Introduction	
- How the in.clear works	8
- Versions	8
- Effects of bromine	8
- Bromine in a spa	8
Before starting	9
in.clear operating modes	
- Maintenance Mode	10
- Boost Mode	10
Keypad functions	10
Start up procedure	
- Set the maintenance level	12
- Determine the boost level	12
Troubleshooting	13
Frequently Asked Questions	15
Glossary	16
Cell cleaning	17
Dimensions	
- in.clear dimensions	18
- Keypad dimensions	18
Installation	
- in.clear installation	19
- in.clear installation with stand	19
- in.k200 installation	21
- in.k200 drill template	21
Specifications	22

Table des matières


Avertissements	26
Introduction	
- Fonctionnement du système in.clear	30
- Modèles	30
- Effets du brome	30
- Le brome dans un spa	30
Avant de débiter	31
Modes de fonctionnement du système in.clear	
- Mode de maintien	32
- Mode « Boost »	32
Fonctions du clavier	32
Procédure de démarrage	34
- Définir le niveau de maintien	34
- Déterminer le niveau de « Boost »	34
Dépannage	35
Questions fréquentes	37
Glossaire	38
Nettoyage de la cellule	39
Dimensions	
- Dimensions de l'unité in.clear	40
- Dimensions du clavier in.k200	40
Installation	
- Installation du système in.clear	41
- Installation du système in.clear avec le support	41
- Installation du clavier in.k200	43
- Gabarit de perçage du clavier in.k200	43
Spécifications	44



Warnings



Warnings! Important safety instructions

- For Canada, in.clear (using Bromitron Bromine Generator Technology) must only be used with sodium bromide (such as BromiCharge) scheduled or registered under the Pest Control Product Act. For USA, the sodium bromide (such as BromiCharge) must be registered under EPA.
- Read and follow this manual carefully and make sure to save it for later. This manual contains important information on in.clear's installation, use and safety recommendations. It is your responsibility to install and use your in.clear unit safely.
- The in.clear must be connected to a circuit protected by a ground fault interrupter device (GFCI) in North America or residual current device (RCD) having a rated residual operating current not exceeding 30 mA in Europe.
- Make sure all electrical power is off before installing the in.clear unit. If the supply cord is damaged, it must be replaced by the manufacturer, its service agent or similarly qualified persons in order to avoid a hazard.
- Use only an electrical cord in good condition to power the in.clear.
- Follow all aspects of the local and National Electrical Code(s) when installing the in.clear Automatic Bromine Generator.
- Always clean or replace your filter cartridges at regular intervals, otherwise part of the bromine generated by in.clear will only serve to oxidize the dirt accumulated in the filter.
- Do NOT add any other sanitation chemicals in the spa other than registered sodium bromide (such as BromiCharge). Do NOT use any ozone or UV sanitizer.
- Do not add chemical products for pool or spa directly into the skimmer. This may damage the cell.
- The cell is installed after the heater in the circulation pump line.
- Operating the in.clear at reduced sodium bromide (such as BromiCharge) levels will shorten the life of the cell. Maintaining overly high sodium bromide and bromine levels above recommended range can contribute to corrosion of spa equipment and may damage components of the spa.
- Do not open the in.clear unit; there are no serviceable parts inside.
- Disposal of the product: the in.clear unit must be disposed of separately in accordance with the local waste disposal legislation in force. 
- This unit is not intended for use by persons (including children) with reduced physical, sensory or mental capabilities, or lack of experience and knowledge, unless they have been given supervision or instruction concerning use of the appliance by a person responsible for their safety.
- To reduce the risk of injury, do not allow children to operate this device.
- The in.clear may not be suitable for in ground spas, it may affect some materials used in their construction.
- The unit must be installed in a location that is inaccessible to a person in the bath or spa and must be located or fixed so that it cannot fall into the bath or spa.
- The unit is not designed to be submersed but may be installed underneath the waterproof skirt of the spa.

Aeware®, Gecko®, and their respective logos are Registered Trademarks of Gecko Alliance Group. in.k200™, in.xe™, in.ye™, in.yt™, and in.clear™, and their respective logos are Trademarks of Gecko Alliance Group. BromiCharge™ and its logo are Trademarks of Bromitron Corporation.

All other product or company names that may be mentioned in this publication are tradenames, trademarks or registered trademarks of their respective owners.



Warnings

- A means for disconnection must be incorporated in the fixed wiring in accordance with the wiring rules.
- It is the responsibility of the user to test the spa water regularly to ensure that adequate amounts of bromine are generated to achieve proper sanitizer levels. Heavy spa usage may require higher bromine output to maintain proper free available bromine residuals.
- The expected lifetime of the electrodes is 30 000 hours when used in normal operating conditions.
- Check the expiry date of the test kit as test results may be inaccurate if used after that date.
- People with a medical condition should consult a physician before entering spa water.
- Women who are pregnant should NOT enter the spa.
- Maximum spa water usage temperature is 40°C. Bathing in spa water at 40°C should not exceed 15 minutes.
- For proper sanitation, spa must be completely drained periodically. The number of days between COMPLETE SPA DRAINAGE is equal to the volume of the spa water in liters, divided by 10 times the maximum number of daily spa users.
- Refill spa with water and repeat DIRECTION FOR USE of the device.
 - For a 1500 liters (400 US gallons) spa used by 2 adults twice a week: $1500 / (10 \times (4/7)) = 262$ days or 8 months
- In.clear is meant for a covered spa NOT swimming pools.
- Users should always shower before entering a spa.





Introduction



in.clear clean water done right

Easy to use and built to last, the in.clear is one of the most efficient water sanitization systems offered to the spa and hot tub industry today. The in.clear generates and releases bromine into the spa water, rapidly destroying any microbiological contaminants such as water borne bacteria, algae, and organic matter given off by spa bathers.

The in.clear system eliminates the need to add bromine or chlorine to your spa on a regular basis. The in.clear system oxidizes odors, reduces eye irritation, and is easy to use, making it the best choice for hot tub sanitization. Spas using the in.clear system need very little maintenance, and the in.clear can be easily installed on new or existing spas.

Accessories

In order to use the in.clear system you must also have an in.k200 keypad or a compatible main spa keypad, and a government approved sodium bromide product (such as BromiCharge). See below for more in.clear accessories.

in.clear parts and accessories:

in.clear: stand alone (in.link)	0605-300002
in.clear: stand alone (QCM)	0605-300001
in.clear: stand alone (AMP)	0605-300003
in.clear: linked (in.link)	0605-500005
in.clear: linked (AMP)	0605-500006
in.clear: linked (QCM)	0605-500007
in.k200 keypad	0607-008010
Bromine test kit	0699-300008
Reducer (2" to 3/4")	0699-300007
Mounting stand	9920-101464

BromiCharge

Canada	0699-300006
United States	0699-300005
Europe	0699-300009

Compatibility

The linked version of the in.clear is compatible with the in.xe, in.xm, in.ye, in.yt and in.yj spa packs with necessary software revisions and hardware.



Introduction

How the in.clear works

When sodium bromide (such as BromiCharge) is added to the water, it separates into sodium ions and bromide ions. As the water passes through the in.clear bromine generator, a low-voltage source supplies a current that electrolytically reduces the bromine ions into bromine. The bromine destroys bacteria and algae, and then releases bromide ions back into the water for continuous recycling until the spa is emptied. It is important to note that the amount of bromine needed will vary in direct proportion to the number of bathers in the spa (bather load).

Versions

There are two versions of the in.clear module: a stand alone version that uses the in.k200 keypad directly, and the linked version, which communicates with the spa pack for more control and precision.

Effects of bromine

- Bromine destroys waterborne bacteria.
- Bromine destroys algae in water (e.g. Black, Green, Mustard).
- Bromine swiftly eliminates the presence of organic matter left behind by spa users (e.g. oil, sweat, dead skin cells).
- Because bromine doesn't contain calcium, it can be used to sanitize hard water without increasing the calcium hardness.

Bromine in a spa

Bacteria require a certain period of time before forming into micro colonies and becoming attached to a surface. Rapid elimination of bacteria is a key element in the proper maintenance of the spa water. The in.clear achieves this while oxidizing odors, reducing eye and skin irritation. The in.clear enhances the clarity and quality of spa water. For bathers this translates into a more enjoyable warm water therapy experience.



Before starting

(see video: www.geckcoal.com/inclear)

1. Drain and clean the spa

It's important to completely drain and clean the spa to remove all residues accumulated on the surface and inside or around the jet area. After draining the spa, use spa cleaning products only. Household cleaners contain additives such as phosphates which may affect the bromine production. When the spa is clean, rinse it off thoroughly with a garden hose.

- ⚠ It's extremely important to clean your filter cartridge with a filter soaking solution or replace your filter cartridges.
- ⚠ It is important that the spa is well cleaned and rinsed prior to the startup of the new system. Some biofilms may have formed in the spa that could prevent the system from functioning properly. We strongly recommend the use of a flushing product such as Spa System Flush, Swirl Away or National Chemistry Spa Purge to clean the plumbing even if the spa is brand new.

2. Refill the spa with fresh water

After the in.clear unit has been installed, check the TDS (Total Dissolved Solids) of the water you'll use to refill the spa. Verifying the TDS range can be done by your local spa dealer. The TDS range should be within 50 and 400 PPM. When you're certain the water is within the proper TDS range, refill your spa.

- ⚠ If your TDS is higher than 500 PPM, ask your spa dealer for additional information to help reduce initial TDS.
- ⚠ DO NOT use water from a "Salt Water Softener" system.

Make sure there is adequate flow and that no airlocks are trapped in the unit's plumbing. If airlocks are formed, start the pump and slowly loosen one of the union nuts to release the air trapped in the plumbing. Tighten the nut again after you are done.

3. Adjust water chemistry in the spa

Proper chemical maintenance of a spa is essential for the health of bathers. Maintaining the quality of the spa water within these specified values will enhance your enjoyment of the spa and prolong the life of the in.clear system.

For best results, adjust to the following water chemistry parameters. Check these parameters periodically.

- ⚠ **Calcium hardness (TH): between 150 and 200 PPM**
- ⚠ **Total Alkalinity: between 100 and 120 PPM**
- ⚠ **pH: between 7.2 and 7.8**

- ⚠ Water chemistry should be balanced before adding sodium bromide into the water. It's essential that the water chemistry parameters are within the proposed range to obtain optimal system performance.

- ⚠ High Calcium Hardness may lead to faster calcification of the electrolytic plates.

4. Add sodium bromide (such as BromiCharge)

Water temperature between 32° and 38° C (90° and 100° F) helps dissolve sodium bromide and facilitates the adjustment of the maintenance level.

Start the pump to allow water to circulate and slowly add sodium bromide uniformly in the spa by simply pouring it from the container.

Metric Calculation:

Add 0.143 kg of sodium bromide which has a guarantee of at least a 98% active ingredient, such as BromiCharge, per 100 L of water to attain 1 400 ppm TDS value (Total Dissolved Solids).

Example, if your spa holds 1200 L of water, add 1.72 kg of sodium bromide (12 X 0.143 kg).

Imperial Calculation:

Add sodium bromide which has a guarantee of at least a 98% active ingredient, such as BromiCharge per 100 US gallons of water.

Example, if your spa holds 300 US gallons of water, add 3.6 lbs of sodium bromide (3 X 1.2 lb).

Note: Your spa manufacturer can tell you how much water your spa holds (in liters or gallons).

Sodium bromide information

In Canada, the in.clear must only be used with sodium bromide (such as BromiCharge) scheduled or registered under the Pest Control Product Act. In the USA, the sodium bromide (such as BromiCharge) must be registered under the EPA.

Your warranty will be void if a product other than sodium bromide is used as a substitute.

- ⚠ Do not inhale the product or get into your eyes! First Aid instructions should appear on the label of the registered sodium bromide container.
- ⚠ Do not use any other sanitation chemicals (including shock) other than sodium bromide in the spa.
- ⚠ When adding fresh water to the spa, start a Boost to help build a residual bromine bank.



in.clear operating modes

This manual details the functions of the in.clear with the default keypad (in.k200). If your spa pack uses a compatible keypad (ex. in.k800) please see its manual for more specific information.

Maintenance Mode

Maintenance Mode keeps the bromine bank levels at a stable and acceptable range when the spa is not being used. Maintenance mode is the “everyday” mode and is automatically ON when the system is activated. Maintenance level adjustment changes the rate at which bromine will be released into the spa water.

Finding and setting the right maintenance level will keep the residual bromine level between 3 and 5 PPM (the recommended range) when the spa is not being used or is left unused for an extended period of time. Once the proper maintenance level is determined, keep the same setting unless the spa conditions change (change in water temperature, spa location etc).

Finding the right bromine generation level is a crucial step for the in.clear system to be stable and effective (see Set Maintenance Mode).

- ▲ With the stand alone version, the spa filtration should be set to a minimum of 8 hours per day. To check the minimum filtration time for your spa, see the Program Key section.
- ▲ With the linked version, it is not necessary to set the filtration duration, as communication between the pack and in.clear allows the system to stop and start the associated pump at the best times.

It is important to note that the in.clear system can ONLY generate bromine when the water is circulating. If you are having problems maintaining a stable level of bromine, or determining the proper maintenance level for your spa, you may have to increase the daily filtering time. Longer filtration produces a more steady level of bromine.

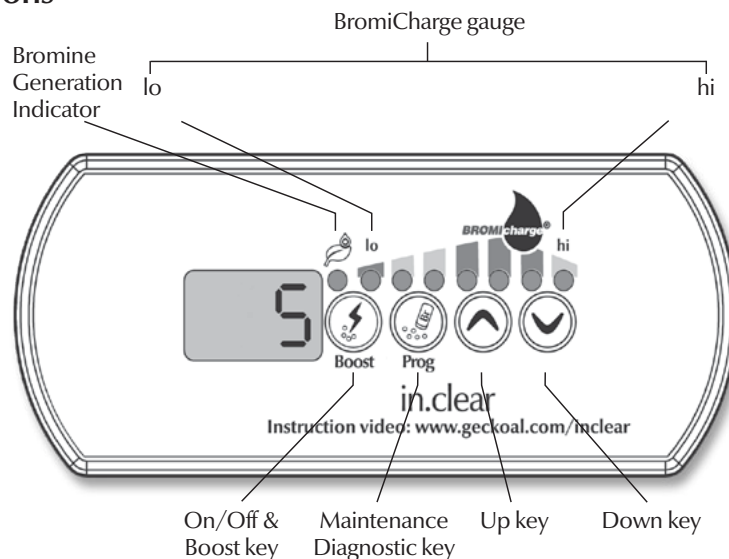
Boost Mode

The Boost Mode should be activated every time you use your spa. Boost mode increases the bromine generation rate to attack pollutants in the water and helps rebuild the necessary residual bromine in the water after each use of the spa. Pollutants are introduced to the water by the bathers, causing the bromine levels to decrease. Activating the boost mode when you enter the spa will prevent inadequate bromine levels and will restore your bromine to the proper residual level.

Finding the right boost level is another crucial step for the in.clear system to be stable and effective.

- ▲ If water quality is not good after use, only the boost level should be adjusted, not the maintenance level.

Keypad functions





Keypad functions

Boost key



The first press of the Boost key turns the in.clear ON and puts the in.clear into maintenance mode. ON appears on the keypad display.

Press the Boost key once while in maintenance mode to start a boost, or to adjust boost settings.*

The Bromine Generation Indicator (LED), located above the Boost key, lights up when the cell is producing bromine and is off when no bromine is being produced.

Press and hold the Boost key for 2 seconds to turn the in.clear off. OFF will appear on the keypad display. Do not turn the in.clear off unless required for maintenance, or if advised by a technician or Gecko representative. Turning the in.clear off will cancel the boost.

Note: With the standalone version the Bromine Generation indicator will blink if the in.clear system cannot generate bromine due to low or no water flow.

* In older versions, pressing the Boost key during a boost cycle will cancel the remainder of that boost cycle and return the in.clear system to maintenance mode.

Program key



Press and hold the Program key for 2 seconds to change the maintenance mode level.

Once in maintenance mode adjustment, press the Program key again to view the suggested minimum filtration time* (stand alone version only). Press the Program key once more for Diagnostic mode.

* Not displayed in older versions.

+ / - Keys



Use the Up and Down keys to adjust the maintenance and boost levels while in the appropriate mode.

Diagnostic mode

Diagnostic mode can be used to periodically adjust the sodium bromide level or to check sodium bromide keypad warnings and errors.

The BromiCharge Gauge will indicate the level of sodium bromide in the spa water. As you add sodium bromide to the spa an animation will indicate rising levels*. If the levels go down (when adding fresh water, for example) the animation will indicate diminishing levels.

Press the Prog key to exit diagnostic mode or the system will automatically exit after 15 minutes.

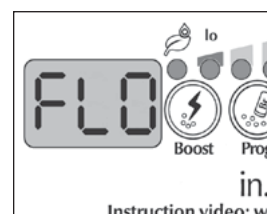
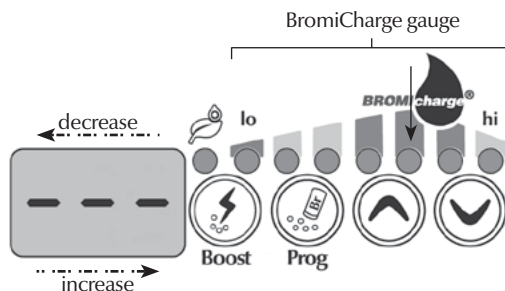
*In older versions a number will be displayed instead of an animation to indicate the level. The target number is 12.

BromiCharge gauge (LEDs)

In diagnostic mode, the BromiCharge gauge (LEDs) indicates the approximate sodium bromide level of your spa water. Do not add sodium bromide if the indicator is in the green zone.

When adding sodium bromide, the gauge indicator will gradually shift to the right. When adding clean water to the spa the indicator will shift to the left. In order to achieve the proper level, start pumps and add 227g (.5 lb) at a time and always allow 5 minutes for the gauge to react before adding more sodium bromide.

The green zone in the center area of the gauge should be targeted for optimal performance.



⚠ Water must be circulating through the in.clear cell in order for the diagnostic mode to work. If no water is circulating through the in.clear unit, a FLO message will appear on the keypad display. Make sure the pump is circulating water through the in.clear.

⚠ Be aware that the gauge will move according to sodium bromide level. Make sure your water temperature is at least 32° C (90° F).



Start up procedure

Set the maintenance level

Determining the proper maintenance level for your spa is an extremely important step. DO NOT use your spa during this step as it will slow the process. Be patient. Make sure you follow steps 1 through 4 of the Before Starting section before performing the following steps.

1. Power up your spa and activate the system by pressing the Boost key.
2. Make sure your maintenance level is set to 15.
To adjust the level, press and hold the Program key for 2 seconds, then use the Up and Down keys to adjust the maintenance level. The bromine generation rate ranges from 1 to 50, where 1 corresponds to the system's minimum generating rate and 50 corresponds to the maximum generation rate allowed by the system.
3. Use a test kit to check the bromine level every 12-24 hours*. The bromine level should be between 3-5 PPM. If the bromine level is within that range for 3 consecutive days, you are ready to use your spa. If the bromine level is above 5 PPM, decrease the maintenance level. If the bromine level is below 3 PPM, increase the maintenance level.
4. Repeat step 3 until bromine is stable between 3 and 5 PPM for 3 consecutive days.

- ⚠ Do NOT increase/decrease maintenance level in steps greater than 2.
- ⚠ Setting the maintenance level to a value that's too high can cause damage to your equipment.
- ⚠ Check bromine level and always test water before entering the spa.
- ⚠ If the bromine level is higher than 5 PPM, lower the maintenance level and turn off the system until the bromine level is back below 5 PPM. Then, restart the system and continue monitoring the bromine level.

To lower the bromine level, expose your spa water to the sun and activate all pumps for a few cycles.

*Testing bromine levels with FAS-DPD drop count method is more accurate than using test strips. Bromine FAS-DPD is available at www.geckodepot.com under number 0699-300008.

Determine the boost level

Every time you use your spa, activate the boost mode. As a rule of thumb, the boost level corresponds to the number of bathers using the spa. For example, activate the boost level to 2 if two bathers are entering the spa.

1. With the system in maintenance mode, press the Boost key to activate the Boost mode.
2. The keypad display will show a numeric value that corresponds to the selected level. There are 8 possible levels available with the boost mode. Set the boost level by using the up and down arrow to select the number of bathers that use the spa.
3. Confirm the selection by pressing the Boost key again or wait 5 seconds for the system to save the desired level and activate the Boost cycle.
4. At the end of the boost period, verify that the bromine level has returned to the 3-5 PPM range. If the bromine level is too low or too high after the Boost period, the boost level should be adjusted the next time the spa is used. For example, if bromine level is higher than 5 PPM after a boost of 2, lower the boost level to 1 the next time. Repeat these steps until you are able to determine the ideal boost level for your usage.

Note: The in.clear keeps the last used boost level in memory.

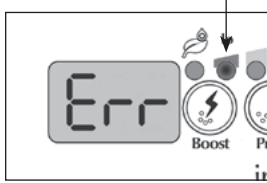
Note: Boost levels depend on the number of bathers using the spa. We recommend you validate the Boost level after each use to determine the ideal boost level for all numbers of bathers.

- ⚠ Changing the water temperature setpoint of your spa, or using the economy mode, could require a change in the maintenance level of your in.clear. Lower water temperatures may require a lower maintenance level than higher temperature setpoints. Please check your bromine level when changing your temperature setpoint or using the economy mode of your spa.
- ⚠ Never adjust the maintenance level of your in.clear without allowing at least 24 hours following the end of the boost period. Boost cycles allow the residual bromine level to stabilize. Bromine levels outside the 3-5 PPM range may result from pollutants following usage.

Linked version only: If the pack connected to the in.clear detects spa use (pumps, blower, or lights active) for 5 minutes without a boost, it will automatically start a boost at the last used level. This is a security feature only, and should not be used to replace the boost setting. Incorrect boost settings for the bather load could damage spa parts and/or be hazardous to bathers.



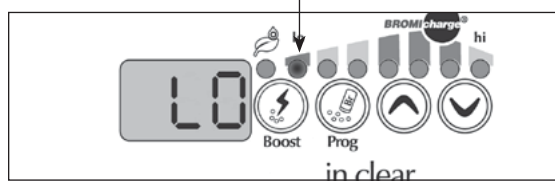
Troubleshooting



Low Sodium Bromide Error

Low Sodium Bromide Error (Err) occurs when the sodium bromide level is too low. The Lo LED indicator will blink when the error is present. The in.clear system will not generate bromine until the Low Sodium Bromide Error (Err) is cleared.

To clear the Low Sodium Bromide error (Err), add sodium bromide to the spa water. Let water circulate for 5 minutes. Activate diagnostic mode and add more sodium bromide until gauge is back in the green zone. Exit diagnostic mode.



Low Sodium Bromide Warning

Low Sodium Bromide Warning (Lo) indicates the need to add sodium bromide to the spa water.

In diagnostic mode, add sodium bromide to the water until the gauge reaches the green zone to clear a Low Sodium Bromide Warning (Lo).

⚠ If after adding sodium bromide the Low Sodium Bromide Warning (Lo) or Low Sodium Bromide Error (Err) still occurs it could be the result of:

- calcification of the electrolytic plates;
- airlocks trapped in the in.clear unit or insufficient flow;
- internal pressure switch problem.



Blinking "AC"

A blinking "AC" message displayed on the keypad indicates that there is a problem with the power input. The most common reason is that the in.clear unit is supplied with 120 V instead of 240 V. Please make sure power cord is connected properly to a 240 V source.



Standalone version only: Bromine Generation indicator blinking

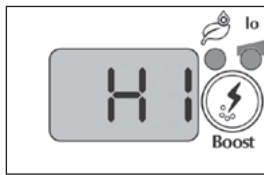
A blinking Bromine Generation LED means that the system is unable to generate bromine because no water flow is detected by the in.clear system. This situation is normal if the pump is not running and no water is flowing through the in.clear. However, if water is circulating through the in.clear unit, and the Bromine Generation LED is still blinking, make sure that the in.clear is installed on the pressure side of the pump and that water is properly flowing through the in.clear unit.

Bromine Generation indicator is off

The Bromine Generation LED indicator is OFF when there is no need for bromine generation. This situation is normal, especially with low maintenance level of bromine generation set on the keypad.



Troubleshooting



High Sodium Bromide Warning

High Sodium Bromide Warning (Hi) occurs when too much sodium bromide is present in the water or there is a high TDS level (water hardness, alkalinity, organic compounds, etc).

To clear a High Sodium Bromide Warning, readjust the sodium bromide content of your water in diagnostic mode, into the green zone by draining some water from your spa and adding fresh water.



in.clear is turned off

The OFF message indicates that the in.clear is turned off.

Press the Boost key to reactivate the in.clear.



FLO error (out of diagnostic mode)

With the linked version the FLO error appears when the in.clear's pressostat is open for longer than 3 minutes and the pump associated with it was activated by the spa pack.

Verify that the in.clear unit was installed on the right pump (must be installed on the circulation pump if present).

Check that the in.clear is installed on the pressure side of the pump and that water is flowing through the in.clear unit.



Communication Error

The Co error indicates that a linked version of the in.clear is being used, but a pack cannot be detected. Ensure that you are using a compatible pack with appropriate software, and that all connections are secure. If this does not clear the message, contact your dealer for help.



Troubleshooting

Low or no bromine reading

Make sure the maintenance level is properly set according to the procedure described in the section Set Maintenance Level. Make sure there is no error or warning message on the display, the cell is activated and that water is circulating properly through the cell.

Make sure water chemistry is balanced. Refer to the section Adjust Water Chemistry in the Spa for more details.

Test your spa water for phosphate to make sure there is no contamination. Phosphates should never exceed 100 PPB. Phosphates can be introduced to your spa water by household cleaners, soaps and lotions.

Change your filter or clean it with a filter cleaner and rinse thoroughly with cold water.

Make sure the in.clear cell is not damaged and that no calcium or lime deposits appear on the cell plates. Clean your cell regularly (at least once a year).

Long recovery time after usage

Activate Boost Mode at the appropriate level every time you use your spa. Refer to the section Determine the Boost Level.

Heavy bather loads will require longer boost periods. If bromine level is below 3 PPM following a boost period, re-activate Boost Mode to bring the bromine bank within 3-5 PPM.

The bromine bank should always be regenerated following a boost period. If a high boost level does not regenerate the bromine bank properly, increase the daily filtration time.

If bromine production is still inadequate after following all of the instructions above, biofilm deposits could be causing the lack of bromine generation. Flushing products such as Sea Klear Spa System Flush, Swirl Away or National Chemistry Spa Purge have shown to be effective for biofilm removal.

Frequently Asked Questions

Q: Why is my spa water cloudy/oily?

A: If your spa becomes cloudy or oily due to bather load perform an additional Boost and wait for 24 hours to see if conditions return to normal. If the problem persists consult a spa/pool dealer to have your water balanced properly.

Q: Does the sodium bromide evaporate?

A: No. Sodium bromide is only lost through splash out, leaks or when draining your spa.

Q: What should I use to clean my spa?

A: Always use a non-sudsing cleaner found at your spa store.

Q: When my in.clear bromine generator is off does the sodium bromide continue sanitizing my spa?

A: No, the in.clear system does not sanitize if inactive. If there is a residual bank of bromine, bromine continues to sanitize the spa water. The in.clear may be off at certain times and the spa will still be fine and clean.

The sodium bromide is converted to bromine as it passes through the electrodes of the in.clear system and the pump associated with the in.clear is running.



Glossary

TDS

Total Dissolved Solids (TDS) is an expression for the combined content of all inorganic and organic substances contained in a liquid which are present in a molecular, ionized or micro-granular (colloidal sol) suspended form.

pH

pH (potential hydrogen) is a measure of the acidity or basicity of a solution.

PPM

"Parts-per million" notation is used to denote relative proportions or a comparative ratio in a given measured quantity.

The expression "1 PPM" means a given property exists at a relative proportion of one part per million parts examined, as would occur if a water-borne pollutant was present at a concentration of one-millionth of a gram per gram of sample solution.

Total Alkalinity (TA)

Total Alkalinity or TA is a measure of the ability of a solution (such as water) to neutralize acids to the equivalence point of carbonate or bicarbonate.

Calcium Hardness (CH)

Calcium Hardness describes the concentration of calcium in your spa water.

Total Hardness (TH)

Total Hardness describes the concentration of calcium and magnesium in your spa water.

Organic Matter

Substances left behind by spa users such as oil, sweat and dead skin cells that serve as "food" for bacteria.

Bather Load

This term is used to describe the number of bathers using a spa, combined with the length and frequency of its usage. The higher the bath usage, the greater quantity of chemicals needs to be added to maintain the same spa water quality.



Cell cleaning

In.clear includes a self-cleaning feature to prevent scale deposits on the graphite electrodes of the in.clear system. However, deposits may still form due to hard water. If that happens the cell should be cleaned in an acidic solution.

All power must be disconnected before any service procedure is performed.

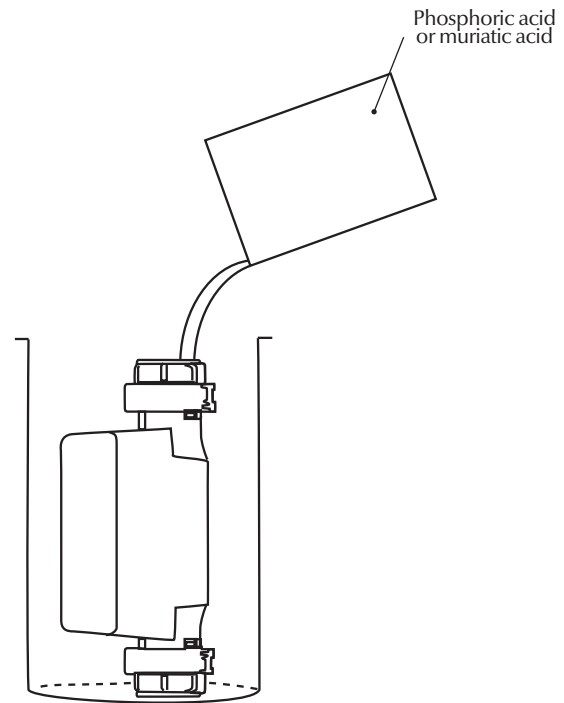
Disconnect the communication cable and power cable of the in.clear unit.

To clean the in.clear cell, follow these steps:

- To remove scales from the cell, we recommend using phosphoric acid (non-diluted) as the preferred cleaning product.
- Close the spa flow shut off valves. Unscrew both unions from the unit and remove the cell from the spa equipment compartment.
- Install the rubber washer and the plastic nut on the threaded end of the cell. Tighten plastic nut firmly.
- Place the cell vertically with the cap end down into a plastic 19 L (5 U.S. gallon) bucket and carefully pour the acid solution into the cell until the 4 plates are covered (careful not to overflow). The acid solution will begin to produce bubbles to clean the electrodes.

A foaming action will follow, which is caused by the scale deposits being dissolved from the plates. If rigorous foaming action does not begin, the cell does not need to be cleaned. Rinse and reinstall the cell.

- Allow the electrodes to remain in the solution until the foaming has stopped. However, DO NOT leave in acid for more than fifteen minutes. Excessive acid cleaning will damage the electrolytic cell.
- Pour the acid solution back into the bucket and rinse the cell thoroughly with clean tap water. If deposits are still visible, repeat operation for fifteen minutes maximum (some acid may need to be added to the solution).
- Remove the plastic nut and washer from the cell and keep them for future cell cleaning.
- Rinse the in.clear with fresh water.
- Re-install the in.clear unit into spa system plumbing, tighten all connections by hand. Open the spa flow shut off valves.
- Reconnect the keypad and power cable.
- Turn power on and start up the pump. Check the keypad to see that the bromine generation LED is on and resume normal operation.

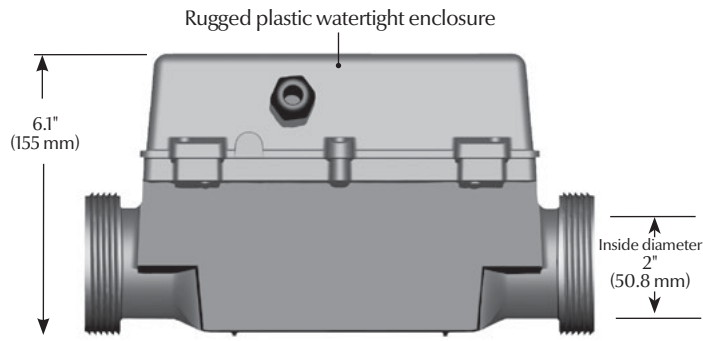
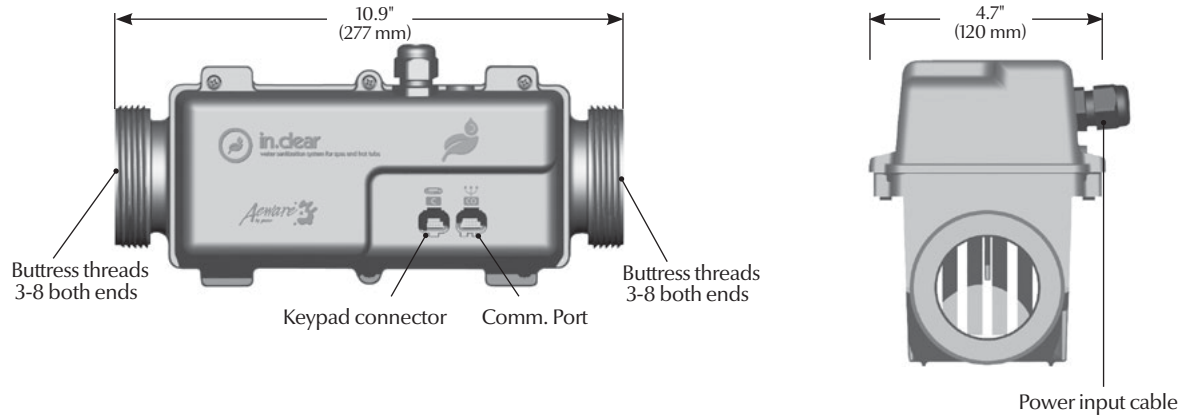


- ⚠ Refer to acid manufacturer's instructions.
- ⚠ Wear eye protection and rubber gloves during these operations. Splashing or spilling acid can cause severe personal injuries and/or property damage.
- ⚠ Always work in a well-ventilated area.
- ⚠ Always add acid to the water; never add water to the acid.
- ⚠ Do not pour acid outside of the unit where the connectors are located.
- ⚠ Never use acetic acid to clean the cell, as this will cause permanent damage to cell components and void the warranty.

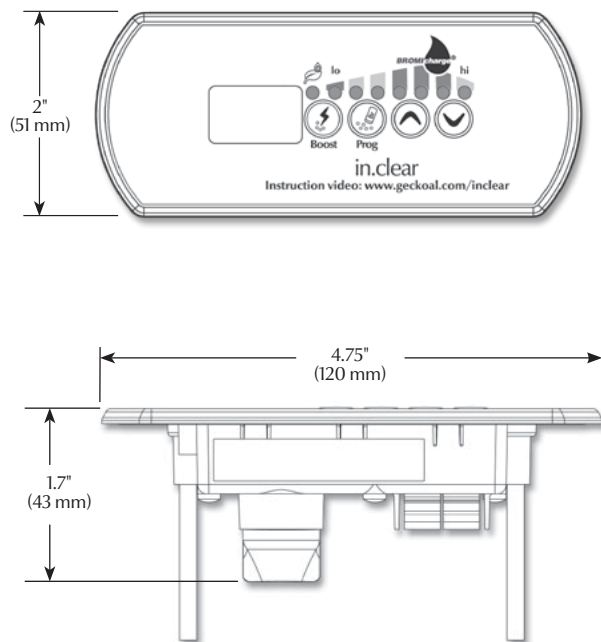


Dimensions

in.clear dimensions



Keypad dimensions





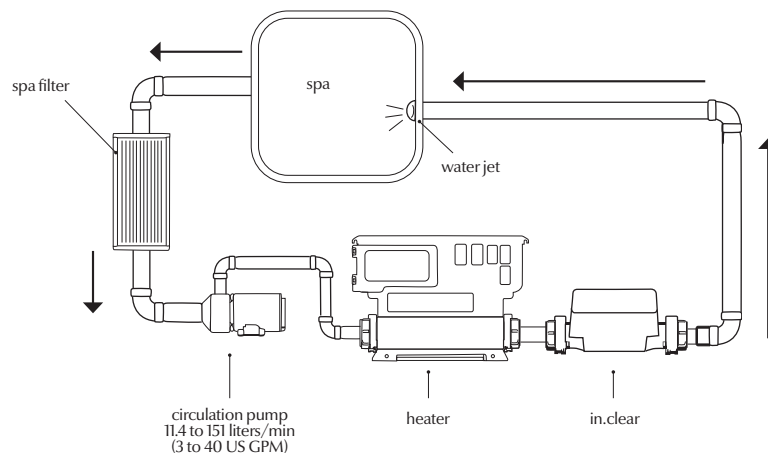
Installation

in.clear installation

Warnings!

- ⚠ The in.clear must be installed on a circulation pump if one is present.
- ⚠ We do not recommend installing the in.clear on a spa equipped with a dual-speed pump. The in.clear works only when the pump is running; therefore a dual-speed pump will need to run 8-10 hours for optimum bromine production. This may be difficult for a large pump to do in warm weather, without overheating the spa.
- ⚠ Install the in.clear on the pressure side on a 11.4 to 151 l/min (3 to 40 US GPM) flow line. Do not to exceed 151 l/min (40 US GPM) to prevent excessive electrode wear and damage to the in.clear unit.
- ⚠ Make sure there are no kinks in the plumbing.
- ⚠ Water flow must run from bottom to top if installed vertically.
- ⚠ If water flow is as low as 11.4 l/min (3 GPM) and the in.clear is to be installed horizontally, an air gap may appear at the top which may decrease the performance of the unit. In this case, raise the outlet 1" above the water inlet level.
- ⚠ We do not recommend installing the linked version of the in.clear on a heat recovery system, as the in.clear forces filtration and risks raising the water temperature above the Set Point.

Fig.A: in.clear installation scheme with circulation pump

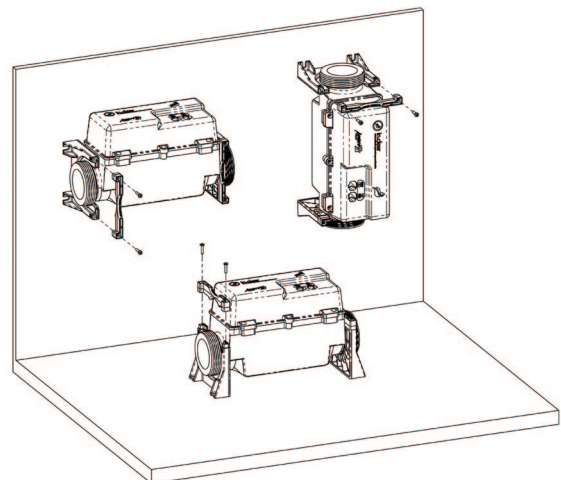


Note: The pressure in the piping must be at least 3 psi when water is circulating

in.clear installation with stand

The stand can be used for floor mounting and for wall mounting.

The stand includes the required screws to mount the device to the stand. The mounting screws to attach the stand to the spa are not included.



Floor and side mounting

The following material is recommended:

4- # 10 screws of appropriate length with round, truss or pan head.

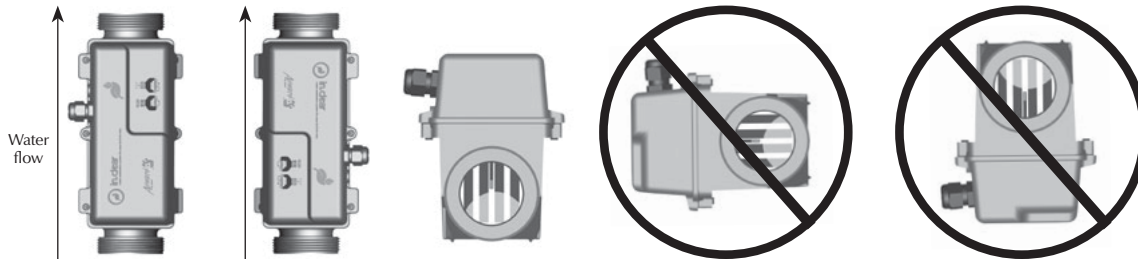
4- washers 12 mm OD x 1.5 mm thickness (1/2" OD x 1/16").

Select the most appropriate location for in.clear and firmly attach each stand to wooden base with 2 screws backed by 2 washers.



Installation

The exact location and the method of installation of the in.clear may vary depending on the plumbing design of the spa.



1. Secure the device in place and attach to plumbing



Use adapters to connect the in.clear system to 19 mm (3/4") tubing or directly to 50 mm (2") tubing.



For an optimal connection to spa plumbing, please note that we recommend these compression fittings & nuts.



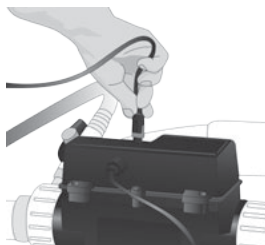
Slide the two plastic union nuts over the in.clear unit's threaded ends and tighten the nuts.

**⚠ Hand tighten!
Do not use tools!**

- Install the in.clear before the spa is filled with water.
- The in.clear system must be installed in an upright position or horizontally.
- Install the in.clear on the pressure side of the pump, after the pack. (see Fig. A)
- Installing valves on both sides of the in.clear may help for maintenance purposes.

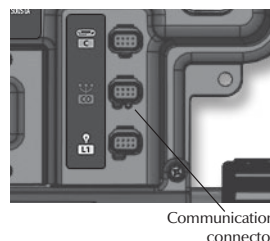
2. Install the keypad on the spa (see Installing the in.k200)

3. Connect the keypad and low voltage accessories and connect power

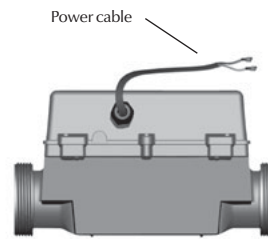


Connect the in.k200 keypad to the keypad port on the in.clear unit.

Linked version only: Plug the cable with the low voltage in.link connector into the CO port of the spa pack. If the CO port is in use, unplug the accessory and replug it into the CO port of the in.clear.



Plug power cable into direct or unswitched output of the spa pack.



⚠ The in.clear must be protected by the same ground fault interrupter (GFCI) circuit as the spa system.

⚠ The input must be 240 V. A blinking "AC" message on the keypad means that the input signal is not 240 V, probably 120 V. Please check connection.

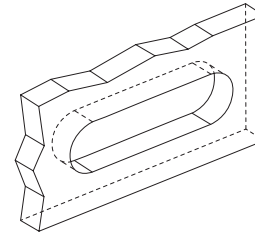
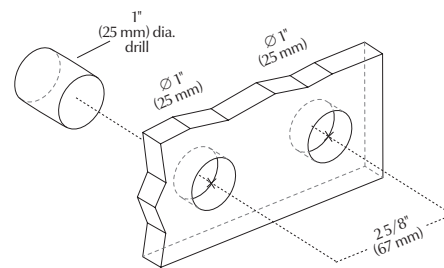
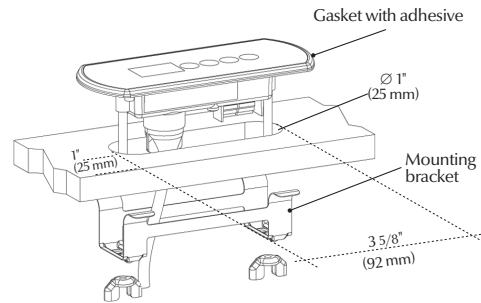


Installation

in.k200 installation

The keypad should be installed directly onto the spa (or very close to it) so that it is easily accessible to the user. For a skirt mount installation the keypad should be installed directly on a spa panel (make sure it is still easily accessible to the user).

- To install the in.k200, drill two 25 mm (1") diameter holes at 67 mm (2 5/8") from center to center as illustrated.
- In the case of a skirt mount installation, start by pilot drilling the hole centers using a 3 mm (1/8") drill bit, drilling from the finished side of the spa to prevent chipping. Using the appropriate hole saw slowly drill two 25 mm (1") diameter holes at 67 mm (2 5/8") from center to center as illustrated.
- Cut out the material between the two holes (see illustration).
- Clean the installation surface and route the keypad cable from the wall cutout to the in.clear unit.
- Peel the adhesive gasket from the back of the keypad, insert it in the cutout and align it correctly, then ensure it's properly glued by gently pressing evenly on the entire surface.



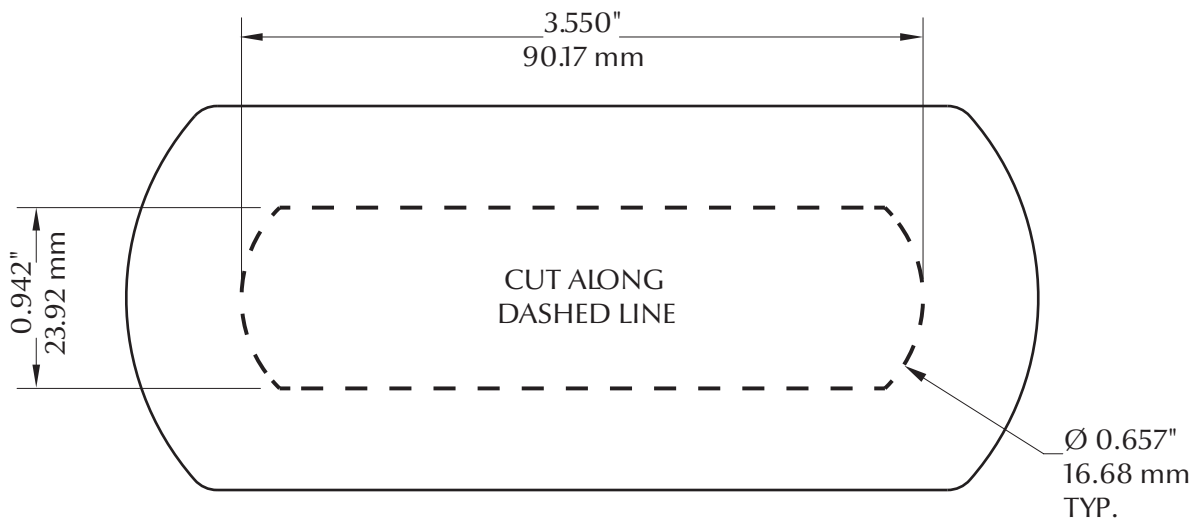
If the keypad is equipped with an optional holder plate remove the two wing nuts from the back of the keypad and remove the mounting bracket.

Insert the keypad into the opening you have cut out. Put the mounting bracket and the wing nuts back on their respective bolts and fix the keypad securely in place (see illustration).

Note: It is the installer's responsibility to ensure that no obstructions (cables, piping, etc.) are present below the deck at the drill hole location.

Note: If the installation location is not perfectly even (e.g. wood surface), make a silicone joint between the installation location and the back of the unit to ensure a proper seal around it.

in.k200 drill template





Specifications

in.clear general specifications

Environmental ratings:

Operating temperature:	0°C (32°F) to 50°C (122°F)
Storage temperature:	-25°C (-13°F) to 85°C (185°F)
Humidity:	up to 85% RH, non condensing
Water Ingress protection:	IPx5

in.clear electrical specifications:

Input rating :	230-240 V nominal (+ 5/- 10 %)
Frequency:	50/60 Hz nominal (+ 1.5 / -1.0 Hz).
Operating current:	0.09 A (90mA)

in.clear flow rate: 11.4 l/min (3 US GPM) minimum flow rate (required)

151 l/min (40 US GPM) maximum flow allowed.
in.clear pressure: 207 kPa (30 psi) maximum

Mechanical:

Weight:	2.25 kg (5 lb)
Dimensions (W x H x D):	Chassis: 276.2mm x 153.6mm x 119mm (10.875" x 6.046" x 4.682")

North America:

UL 1081 sixth Ed, UL 1563 Fifth Ed.
File: E305676
CSA No. 22.2 - 108-01 4th Ed.
EPA Reg. No. 8622-69-73578
EPA Reg. No. 69470-wv-2
REGISTRATION No. 29628 PEST CONTROL PRODUCT ACT (Canada)



European:

EN/IEC 60335 - 2 - 60: 2003/2002
EN/IEC 60335 - 1: 2002/2001 (incl. Corr. & Am. up to 2006)
EN 55014-1
EN 55014-2
EN 61000-3-2
EN 61000-3-3



Australia / New Zealand:

AS/NZS 60 335.2.60: 2006+AI

in.k200 general specifications

Environmental:

Storage temperature:	-30°C (-22°F) to 70°C (158°F)
Operating temperature:	-20°C (-4°F) to 60°C (140°F)
Humidity:	100% condensing

Mechanical:

Weight:	0.41 kg (0.9 lb)
Dimensions (W x H x D):	Front Panel: 120 mm x 51 mm x 43 mm (4.75" x 2" x 1.7") Soft gasket
Standards:	UV resistance (ASMT D4329) UL, CSA, TUV and CE

Specifications and design are subject to change without prior notice.

Manuel de l'utilisateur



in.clear^{MC}
un choix clair, une eau limpide

Facile d'entretien
Sans chlore
Aucun produit chimique à ajouter





Unité in.clear^{MC} Modèle no 0605-500002

Système d'assainissement au brome pour l'eau des spas
(au moyen de la technologie de Génération de brome Bromitron)

Générateur de brome automatique

Conçu pour assainir l'eau des spas

À USAGE DOMESTIQUE

L'unité de production automatique de brome in.clear permet de traiter jusqu'à 2000 litres d'eau.

Un maximum équivalant à 0,04 kg de résidus de brome libres produit quotidiennement.

Pour un spa, les résidus de brome libres doivent se situer dans une fourchette de 3 à 5 ppm.

LIRE L'ÉTIQUETTE, LE MANUEL D'INSTALLATION ET LES INSTRUCTIONS AVANT D'UTILISER L'APPAREIL

GARDER HORS DE LA PORTÉE DES ENFANTS

REGISTRATION No. 29628 PEST CONTROL PRODUCT ACT

AVERTISSEMENT : Mettre en marche le générateur de brome automatique in.clear sans que de l'eau ne circule dans la cellule peut occasionner une accumulation de gaz qui risquent de causer un INCENDIE ou une EXPLOSION.

À L'ATTENTION DE L'USAGER :

Ce produit antiparasitaire ne doit être utilisé que selon le mode d'emploi qui figure sur l'étiquette. Toute utilisation non conforme à ce mode d'emploi constitue une infraction à la Loi sur les produits antiparasitaires. L'utilisateur assume les risques de blessures aux personnes ou les dommages aux biens qu'entraîne l'utilisation de ce produit.

Gecko Alliance Group Inc.
450, Des Canetons, Québec (Québec)
Canada G2E 5W6
800-784-3256, poste 350
418-872-4411, poste 350




Avertissements



AVERTISSEMENTS :

Avant d'installer ou de brancher l'appareil, veuillez lire les instructions suivantes.

- Au Canada, l'unité in.clear^{MC} (au moyen de la technologie de Génération de brome Bromitron) ne doit être utilisée qu'avec du bromure de sodium (tel que le BromiChargeTM) enregistré conformément à la loi ou inscrit à l'annexe de la Loi sur les produits antiparasitaires. Aux États-Unis, le bromure de sodium (tel que le BromiChargeTM) doit être enregistré auprès de l'EPA.
- Lisez ce manuel avec attention et suivez rigoureusement les instructions. Conservez-le pour consultation ultérieure. Ce manuel contient des renseignements importants sur l'installation du système in.clear, ainsi que des recommandations d'utilisation et de sécurité. Vous êtes responsable de l'installation et de l'utilisation sécuritaires de l'unité in.clear.
- L'unité in.clear^{MC} doit être raccordée à un circuit protégé par un disjoncteur de fuite de terre (GFCI) en Amérique du Nord ou à un appareil de courant résiduel (RCD) ayant un courant résiduel nominal n'excédant pas 30 mA en Europe.
- Assurez-vous d'avoir coupé toute l'alimentation électrique avant d'installer l'unité in.clear. Si le cordon d'alimentation est endommagé, il doit être remplacé par le fabricant, son agent de service, ou une personne qualifiée afin d'éviter tout incident.
- N'utilisez qu'un cordon électrique en bon état pour alimenter l'unité in.clear.
- Assurez-vous de respecter tous les aspects du ou des codes nationaux de l'électricité lorsque vous installez l'unité de génération de brome automatique.
- Toujours nettoyer ou remplacer vos cartouches filtrantes à intervalle régulier, sinon une part du travail du générateur de brome in.clear ne servira qu'à oxyder les saletés accumulées dans le filtre.
- N'ajoutez AUCUN produit chimique d'assainissement dans le spa autre que le bromure de sodium enregistré (BromiCharge). Ne PAS utiliser d'assainisseur de type ozonateur ou UV.
- N'ajoutez aucun produit chimique pour piscine ou spa directement dans l'écumoire; vous risqueriez d'endommager la cellule.
- La cellule est installée après l'élément chauffant dans la ligne de la pompe de circulation.
- L'utilisation de l'unité in.clear avec un niveau réduit de bromure de sodium (BromiCharge) abrègera la vie de la cellule. Le maintien à un niveau trop élevé de bromure de sodium et de brome au-delà de la fourchette recommandée peut contribuer à la corrosion des équipements de spa et peut endommager ses composants.
- N'ouvrez pas l'unité in.clear; elle ne contient aucune pièce à entretenir.
- Élimination du produit : l'unité in.clear doit être éliminée séparément, conformément à la législation locale sur l'élimination des déchets en vigueur. 
- Cet appareil n'est pas conçu pour être utilisé par des personnes (y compris les enfants) dont les capacités physiques, sensorielles ou mentales sont réduites, et manquant d'expérience et de connaissances, à moins qu'elles ne soient instruites et encadrées quant à l'utilisation de cet appareil par une personne responsable de leur sécurité.
- Afin de réduire les risques de blessures, ne permettez pas aux enfants de faire fonctionner le dispositif.
- Le système in.clear n'est pas approprié pour les spas creusés, il pourrait affecter certains matériaux utilisés dans leur construction.
- L'appareil doit être installé dans un endroit inaccessible à une personne dans la baignoire ou le spa et de façon à ce qu'il ne puisse tomber dans le bain ou le spa.
- L'appareil n'est pas conçu pour être submergé, mais peut être installé sous la jupe étanche du spa.

Aeware®, Gecko®, et leurs logos respectifs sont des marques déposées de Groupe Gecko Alliance. Le in.k200^{MC}, in.xe^{MC}, in.ye^{MC}, in.yt^{MC}, et in.clear^{MC}, et leurs logos respectifs sont des marques de commerce de Groupe Gecko Alliance. BromiChargeTM et son logo ont des marques de commerce de Bromitron Corporation.

Les autres noms de produits ou d'entreprises qui peuvent être cités dans la présente publication sont des noms commerciaux, des marques de commerce ou des marques déposées de leurs propriétaires respectifs.



Avertissements

- Un moyen de déconnexion doit être incorporé dans le câblage fixe conformément aux règles de câblage.
- L'utilisateur est responsable d'analyser régulièrement l'eau du spa afin de s'assurer que le brome est généré en quantités adéquates pour assainir l'eau de façon appropriée. Une utilisation fréquente du spa peut exiger une production plus élevée de brome afin de maintenir une disponibilité adéquate de résidus de brome libres.
- La durée de vie des électrodes est de 3000 heures lorsque le spa est utilisé dans des conditions normales.
- Vérifiez la date d'expiration de la trousse d'analyse, car les résultats pourraient être faussés si la trousse est utilisée après cette date.
- Les personnes souffrant de troubles médicaux doivent consulter un médecin avant d'entrer dans l'eau du spa.
- Les femmes enceintes NE doivent PAS utiliser un spa.
- La température maximale de l'eau lors de l'usage normal d'un spa est de 40 °C. Ne pas rester plus de 15 minutes dans un spa dont la température de l'eau se situe à 40 °C.
- Les spas doivent être complètement vidés de façon régulière pour pouvoir assainir de façon appropriée. Le nombre de jours entre chaque DRAINAGE COMPLET est égal au volume de votre spa en litres d'eau divisé par 10 fois la quantité maximale d'utilisateurs quotidiens.
- Remplissez le spa d'eau et suivez les INSTRUCTIONS pour l'appareil.
 - Pour un spa de 1500 litres (400 gallons US) utilisé par 2 adultes 2 fois par semaine : $1500 / (10 \times (4/7)) = 262$ jours ou 8 mois.
- L'unité in.clear a été conçue pour être utilisée dans un spa couvert et NON pour une piscine.
- Les utilisateurs doivent toujours se doucher avant d'entrer dans un spa.





Introduction



in.clear

un choix clair, une eau limpide

Simple à utiliser et conçu pour durer, le système in.clear est présentement l'un des systèmes d'assainissement de l'eau les plus efficaces offerts à l'industrie du spa et de la baignoire à remous. Le système in.clear génère et disperse du brome dans l'eau de votre spa, détruisant rapidement les contaminants microbiologiques tels que les bactéries hydriques, les algues, les corps chimiques et les matières organiques produites par les baigneurs.

Le système in.clear élimine le besoin d'ajouter du brome ou du chlore à votre spa sur une base régulière. Le système in.clear ne génère aucune odeur, il ne cause pas de problèmes d'irritation aux yeux et il est facile à utiliser, ce qui en fait le meilleur choix pour l'assainissement des baignoires à remous. Les spas qui utilisent le système in.clear requièrent très peu d'entretien, et celui-ci s'installe facilement tant sur les nouveaux spas que sur les spas existants.

Accessoires

Afin de pouvoir utiliser le système in.clear, vous devez également avoir le clavier in.k200 ou un autre clavier principal compatible avec le spa et un produit approuvé par le gouvernement contenant du bromure de sodium (BromiCharge). Consultez la liste ci-dessous pour d'autres accessoires in.clear.

Pièces et accessoires in.clear :

in.clear : unité indépendante (in.link)	0605-300002
in.clear : unité indépendante (QCM)	0605-300001
in.clear : unité indépendante (AMP)	0605-300003
in.clear : connexion directe (in.link)	0605-500005
in.clear : connexion directe (AMP)	0605-500006
in.clear : connexion directe (QCM)	0605-500007
Clavier in.k200	0607-008010
Trousse d'analyse	0699-300008
Réducteur (2" à 3/4")	0699-300007
Support d'installation	9920-101464

BromiCharge

Canada	0699-300006
États-unis	0699-300005
Europe	0699-300009

Compatibilité

Le modèle à connexion directe de l'unité in.clear est compatible avec les modules de contrôle de spa suivants : in.xe, in.xm, in.ye, in.yt et in.yj (avec version de logiciel et matériel nécessaire).



Introduction

Fonctionnement du système in.clear

Le bromure de sodium (BromiCharge) ajouté à l'eau se sépare en ions de sodium et en ions de bromure. Lorsque l'eau circule à travers le générateur de brome in.clear, une source à basse tension fournit un courant qui réduit électrolytiquement les ions de bromure en brome qui réagit avec les molécules d'eau pour former du brome libre. Le brome est reconnu comme un bactéricide et un algicide très efficaces. Ce processus continuera à libérer les ions de bromure dans l'eau pour un recyclage continu jusqu'à ce que le spa soit vidé. Il ne faut pas oublier que la quantité de brome nécessaire varie de façon directement proportionnelle au nombre de baigneurs dans le spa (charge de baigneurs).

Modèles

L'unité in.clear existe en deux versions : l'unité indépendante qui fonctionne directement avec le clavier in.k200 et le modèle à connexion directe qui communique avec module de contrôle du spa pour une précision et un contrôle accru.

Effets du brome

- Le brome détruit les bactéries d'origine hydrique.
- Le brome détruit les algues dans l'eau. (noires, vertes et vertes résistantes au chlore, par ex.).
- Le brome élimine rapidement les matières organiques laissées par les utilisateurs du spa (huile, sueur, cellules de peau mortes).
- Puisque le brome ne contient pas de calcium, il peut être utilisé pour assainir l'eau dure sans accroître la dureté du calcium.

Le brome dans un spa

Les bactéries ne commencent à former des micro-colonies et à s'accrocher à une surface qu'après un certain temps. L'élimination rapide des bactéries constitue une étape essentielle pour l'entretien de l'eau du spa. Le système in.clear se charge de cette tâche tout en oxydant les odeurs, sans causer d'irritation des yeux ou de la peau. Le système in.clear améliore la limpidité et la qualité de l'eau du spa. Pour les baigneurs, cela se traduit par une expérience thérapeutique dans l'eau chaude plus agréable.



Avant de débiter

(voir le video: www.geckoal.com/inclear)

1. Vidange et nettoyage du spa

Il est important de vider complètement et de bien nettoyer le spa afin d'enlever tout résidu solide accumulé sur la surface ainsi qu'à l'intérieur et autour de la zone des jets. Une fois le spa vidé, assurez-vous de n'utiliser que des produits de nettoyage conçus pour le spa. Les produits de nettoyage domestiques contiennent des additifs tels que des phosphates qui pourraient nuire à la production de brome. Une fois le spa nettoyé, rincez-le à fond avec un boyau d'arrosage.

⚠ Il est extrêmement important de nettoyer vos cartouches filtrantes avec une solution de trempage pour filtre ou de remplacer vos cartouches filtrantes.

⚠ Il est important que le spa soit bien nettoyé et rincé avant de procéder au démarrage du nouveau système. Des biofilms peuvent s'être formés dans le spa et cela pourrait empêcher le système de fonctionner correctement. Nous recommandons fortement des produits nettoyants comme le Spa System Flush, le Swirl Away ou le National Chemistry Spa Purge pour nettoyer la tuyauterie, et cela même si le spa est neuf.

2. Remplissage du spa

Après l'installation de l'unité in.clear, vérifiez la concentration de MDT (matières dissoutes totales) de l'eau utilisée pour remplir le spa. Cette vérification peut être effectuée par votre détaillant de spa. La valeur de MDT doit se situer entre 50 et 400 ppm. Lorsque vous êtes certain que l'eau se situe dans la bonne fourchette de MDT, remplissez votre spa.

⚠ Si votre niveau initial de MDT est supérieur à 500 ppm, renseignez-vous auprès de votre détaillant de spa pour obtenir plus de renseignements sur la façon de réduire le niveau de MDT initial.

⚠ N'utilisez PAS d'eau provenant d'un système « adoucisseur d'eau au sel ».

Assurez-vous qu'il y a un débit adéquat et qu'aucun bouchon d'air n'est coincé dans un tuyau de l'unité. S'il y a formation de bouchons d'air, faites démarrer la pompe et desserrez lentement l'un des écrous-unions pour libérer l'air emprisonné dans le tuyau. Serrez de nouveau l'écrou, une fois la tâche terminée.

3. Réglage chimique de l'eau du spa

L'entretien chimique approprié d'un spa est essentiel à la santé des utilisateurs. Garder la qualité de l'eau du spa dans les valeurs précisées vous permettra de profiter encore plus de votre spa ainsi que de prolonger la vie du système in.clear.

Pour de meilleurs résultats, ajuster les paramètres chimiques de l'eau aux valeurs suivantes. Vérifiez régulièrement ces paramètres.

⚠ **Dureté totale (DT) :** entre 150 et 200 ppm
Alcalinité totale : entre 100 et 120 ppm
pH : entre 7,2 et 7,8

⚠ Avant d'ajouter le bromure de sodium, assurez-vous que les propriétés chimiques de l'eau sont équilibrées. Pour un rendement optimal du dispositif, il est essentiel que les propriétés chimiques de l'eau se situent dans l'échelle de valeurs proposées.

⚠ Un niveau élevé de dureté calcique de l'eau peut produire une calcification accélérée des plaques électrolytiques.

4. Ajouter le bromure de sodium (BromiCharge)

⚠ Une température de l'eau entre 32 et 38° C (90 et 100° F) aide à la dissolution du bromure de sodium et facilite le réglage du niveau de maintien.

Faites démarrer la pompe pour permettre à l'eau de circuler, et ajoutez lentement le bromure de sodium (BromiCharge) uniformément dans le spa en vidant simplement le contenant.

Ajoutez 0,143 kg de bromure de sodium dont on garantit un minimum de 98 % d'ingrédients actifs, tel que le BromiCharge, par 100 L d'eau pour obtenir une valeur MDT (matières dissoutes totales) de 1400 ppm.

Par exemple, si votre spa contient 1 200 litres d'eau, ajoutez 1,72 kg de bromure de sodium (12 X 0,143 Kg).

Système impérial

Ajoutez le bromure de sodium dont on garantit un minimum de 98 % d'ingrédients actifs, tel que le BromiCharge, par 100 gallons américains d'eau.

Si votre spa contient 300 gallons US d'eau, ajoutez 3,6 lb de bromure de sodium (3 X 1,2 lb).

Remarque : Votre fabricant de spas peut vous dire combien de litres ou de gallons d'eau votre spa contient.

Informations sur le bromure de sodium

Au Canada, le système in.clear ne doit être utilisé qu'avec du bromure de sodium (BromiCharge) enregistré conformément à la loi ou inscrit à l'annexe de la Loi sur les produits antiparasitaires du Canada. Aux États-Unis, le bromure de sodium (BromiCharge) doit être enregistré auprès de l'EPA.

Votre garantie sera nulle si un autre produit est utilisé comme substitut.

⚠ Ne respirez pas le produit et évitez tout contact avec les yeux! Les instructions de premiers soins doivent être indiquées sur l'étiquette du contenant de bromure de sodium enregistré.

⚠ N'utilisez aucun autre produit chimique d'assainissement (y compris un traitement-choc) dans le spa.

⚠ Lorsque vous ajoutez de l'eau fraîche dans le spa, faites un « Boost » pour aider à la production de brome.



Modes de fonctionnement du système in.clear

Ce manuel de l'utilisateur présente les fonctions de l'unité in.clear à partir du clavier fourni avec l'appareil (in.k200). Si vous utilisez un clavier compatible (p. ex. in.k800), veuillez consulter le manuel de ce dernier pour obtenir des informations plus précises.

Mode de maintien

Le mode de maintien permet de garder les niveaux de réserve de brome dans une gamme stable et acceptable de concentrations lorsque le spa n'est pas utilisé. Le mode maintien est le mode par défaut donc automatiquement activé lorsque le système est mis en marche. Le réglage du niveau maintien modifie la vitesse à laquelle le brome sera libéré dans l'eau du spa.

Trouver et régler le bon niveau de maintien permettra de maintenir le niveau de résidus de brome entre 3 et 5 ppm (la gamme recommandée) lorsque le spa n'est pas utilisé pour une courte ou longue période de temps. Une fois le niveau maintien programmé, conservez le même réglage à moins que les habitudes d'utilisation du spa ne changent (changement de température de l'eau, emplacement du spa, etc.).

Trouver le niveau de génération de brome approprié représente l'étape cruciale permettant la stabilité et l'efficacité du système in.clear (voir Programmation du mode de maintien).

⚠ Dans le cas de l'unité indépendante, il importe de programmer l'appareil afin de filtrer l'eau pendant au moins 8 heures par jour. Pour connaître la durée minimum de filtration de votre spa, veuillez consulter la section « Fonction du clavier ».

⚠ Dans le cas du modèle à connexion directe, il n'est pas nécessaire de programmer la durée de filtration puisque la communication entre le contrôle de spa et l'unité in.clear permet au dispositif de mettre la pompe assortie en marche et d'arrêter cette dernière en temps opportun.

Il est important de noter que le système in.clear ne peut générer de brome à moins que l'eau ne CIRCULE. Si vous rencontrez des difficultés à maintenir le niveau de brome stable, ou à déterminer le niveau maintien adéquat pour votre spa, il peut être nécessaire d'augmenter la durée quotidienne de filtration. Une plus longue durée de filtration produit une génération plus stable de brome.

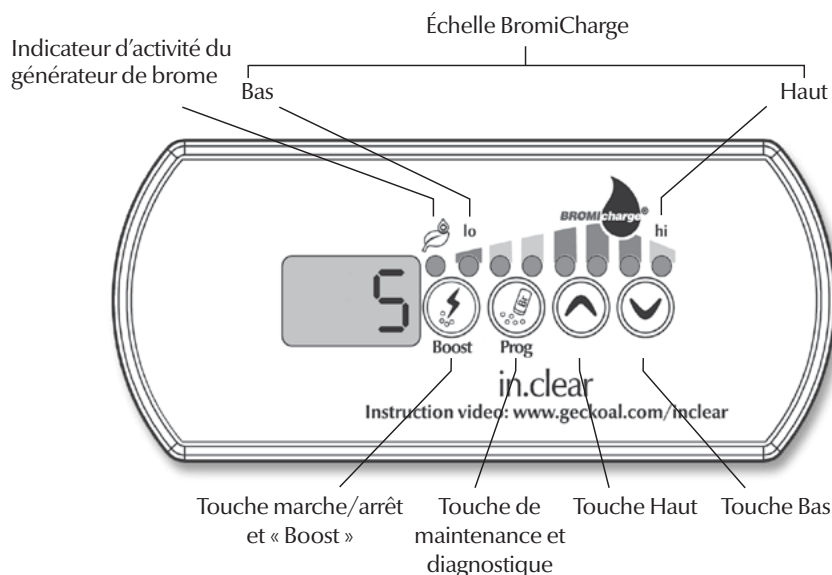
Mode « Boost »

Le mode « Boost » doit être activé chaque fois que vous utilisez votre spa. Le mode « Boost » augmente le taux de production de brome pour pallier à l'arrivée de polluants dans l'eau et pour permettre de rétablir le niveau de brome résiduel dans l'eau après chaque utilisation du spa. Les polluants introduits dans l'eau par les baigneurs sont responsables de la diminution de la concentration de brome résiduel dans l'eau. L'activation du mode « Boost » lorsque vous entrez dans le spa a pour but d'éviter la chute de la concentration de brome à des niveaux insuffisants, et permet la régénération du brome résiduel au niveau maintien.

Trouver les bons réglages du mode « Boost » est une autre étape cruciale pour un fonctionnement stable et efficace de votre unité in.clear.

⚠ Si la qualité de l'eau n'est pas bonne après utilisation du spa, seul le niveau « Boost » doit être ajusté et non le maintien.

Fonctions du clavier





Fonctions du clavier

Touche « Boost »

La première pression de la touche « Boost » met le système in.clear en marche (ON) et le met en mode de maintien. « ON » s'affiche à l'écran du clavier.

Pour mettre le mode « Boost » en marche ou pour en rectifier les réglages, il suffit d'appuyer une fois sur la touche « Boost » lorsque l'appareil est en mode maintien.*

Le témoin du générateur de brome (DEL), situé au-dessus de la touche « Boost », s'allume lorsque la cellule produit du brome et est éteint lorsqu'aucune production n'est en cours. Maintenez la touche « Boost » enfoncée pendant deux secondes pour éteindre le système in.clear. Le message « OFF » s'affiche alors à l'écran du clavier.

N'éteignez pas le système in.clear à moins d'avoir à effectuer de l'entretien ou qu'un technicien ou un représentant de Gecko ne vous ait demandé de le faire. Lorsque vous éteignez l'unité in.clear, la fonction « Boost » est annulée.

Remarque : Avec l'unité indépendante le témoin du générateur de brome clignote si le système in.clear ne peut générer de brome dû à un débit trop faible d'eau, ou à une absence de circulation.

* Pour les anciens modèles, appuyer sur la touche « Boost » pendant un cycle « Boost » annulera ce cycle et le système in.clear retournera en mode de maintien.

Touche Prog.

Maintenez la touche Prog. enfoncée pendant deux secondes pour accéder au mode de maintien.

Une fois que vous avez accédé au mode maintien, appuyez encore une fois sur la touche « Prog » afin que s'affiche à l'écran la durée de filtration minimale suggérée* (unité indépendante seulement). Pour accéder au mode « Diagnostique », appuyez une fois de plus sur la touche « Prog ».

*Pas affichée sur les anciens modèles

Mode « Diagnostique »

Le mode « Diagnostique » peut être utilisé pour ajuster de façon périodique le niveau de BromiCharge ou pour vérifier les avertissements et les messages d'erreur à partir du clavier du BromiCharge.

L'échelle BromiCharge indique la quantité de bromure de sodium contenue dans l'eau de votre spa. Lorsque vous ajoutez du bromure de sodium dans l'eau, une image animée indique que le taux du produit augmente*; si au contraire le taux diminue (quand vous ajoutez de l'eau dans le spa par exemple), l'image animée indique une baisse.

Touches +/-

Utilisez les touches Haut/Bas pour ajuster les niveaux de maintien et de « Boost » alors que le spa se trouve dans le mode approprié.

Appuyez sur la touche « Prog » pour quitter le mode « Diagnostique » ; le dispositif quitte automatiquement ce mode après 15 minutes.

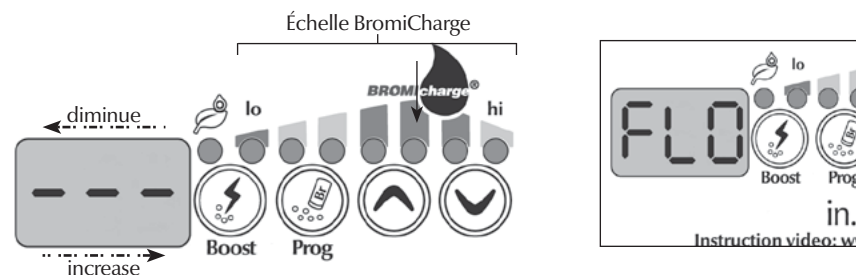
*Pour les anciens modèles, le taux est indiqué par un chiffre au lieu d'une image animée. Le nombre cible est 12.


Échelle BromiCharge (DEL)


En mode « Diagnostique », l'échelle BromiCharge (DEL) indique le niveau approximatif de BromiCharge dans l'eau de votre spa. N'ajoutez pas de bromure de sodium si l'indicateur se situe dans la zone verte.

Lors de l'ajout de BromiCharge, l'indicateur de l'échelle se déplacera progressivement vers la droite. Lors de l'ajout d'eau à votre spa, l'indicateur se déplacera vers la gauche. Afin d'atteindre le niveau adéquat, actionnez les pompes et ajoutez 227 grammes (.5 livre) à la fois et allouez toujours un temps de réaction de 5 minutes à l'indicateur avant d'ajouter du BromiCharge.

Pour des performances optimales, cibler la zone centrale verte de l'échelle.



 L'eau doit circuler à travers le système in.clear afin que le mode « Diagnostique » fonctionne. Si l'eau ne circule pas à travers l'unité in.clear, un message « FLO » s'affiche à l'écran du clavier. Assurez-vous que la pompe fasse circuler l'eau à travers l'unité in.clear.

 Attention, l'échelle augmente en fonction du niveau de BromiCharge. Assurez-vous que la température de l'eau est au moins de 32° C (90° F).



Procédure de démarrage

Définir le niveau de maintien

Déterminer le niveau de maintien pour votre spa est une étape très importante. N'utilisez pas votre spa durant cette étape, car cela ralentira le processus. Soyez patient. Assurez-vous d'avoir suivi les étapes 1 à 4 de la section « Avant de débuter » avant d'effectuer les étapes suivantes.

1. Branchez votre spa et activez le système en appuyant sur la touche « Boost ».
2. Assurez-vous que votre niveau de maintien est réglé à 15. Pour le modifier, appuyez sur le bouton « Prog » et tenez-le enfoncé pendant 2 secondes, puis pressez sur les touches Haut/Bas pour modifier le niveau de maintien. L'échelle de valeurs du taux de génération de brome s'étend de 1 à 50, où 1 correspond au taux minimal de génération du système et 50 au taux maximal permis par le système.

OPTIONAL: Réglez la fonction « Boost » au niveau 2 afin de permettre de constituer une réserve de brome plus rapidement et d'accélérer le processus de démarrage.

3. Vérifiez le taux de brome toutes les 12 à 24 heures* au moyen d'une trousse d'analyse d'eau. * Le niveau de brome doit se situer entre 3 et 5 ppm. Ce taux doit être maintenu pendant trois jours consécutifs, après quoi vous pouvez profiter de votre spa. Si le niveau de brome est supérieur à 5 ppm, diminuez le niveau de maintien. Si le niveau de brome est inférieur à 3 ppm, augmentez le niveau maintien.
4. Répétez l'étape 3 jusqu'à ce que le taux de brome soit demeuré stable entre les valeurs 3 et 5 PPM pendant trois jours consécutifs.

- ⚠ Ne PAS augmenter / diminuer le niveau de maintien de plus de deux niveaux à la fois.
- ⚠ Définir le niveau maintien à une valeur trop élevée peut endommager votre équipement.
- ⚠ Vérifier le niveau de brome et toujours tester l'eau avant d'entrer dans le spa.
- ⚠ Si le niveau de brome est supérieur à 5 ppm, abaissez le niveau de maintien et désactivez le système jusqu'à ce que le niveau de brome soit à nouveau sous les 5 ppm. Puis, redémarrez le système et continuez à surveiller le niveau de brome.

Pour abaisser le niveau de brome dans l'eau, exposez le spa au soleil et activez toutes les pompes pour quelques cycles.

* Tester le niveau de brome avec un système de gouttes FAS-DPD est plus efficace qu'avec un système de languettes. L'ensemble FAS-DPD est disponible à l'adresse www.geckodepot.com sous le numéro 0699-300008

Déterminer le niveau de « Boost »

Chaque fois que vous utilisez votre spa, activez le mode « Boost ». En règle générale, le niveau du mode « Boost » correspond au nombre de baigneurs utilisant le spa. Par exemple, activez le niveau « Boost » au deuxième indicateur si deux (2) baigneurs entrent dans le spa.

1. Avec le système en mode maintien, appuyez sur la touche « Boost » pour activer le mode « Boost ».
2. L'écran du clavier affiche une valeur numérique qui correspond au niveau sélectionné. Il y a 8 niveaux possibles pour le mode « Boost ». Déterminez le niveau « Boost » en utilisant les touches Haut/Bas pour sélectionner nombre de baigneurs qui utilisent le spa.
3. Confirmez la sélection en appuyant de nouveau sur la touche « Boost » ou attendez cinq secondes que le système enregistre le niveau voulu et active le cycle « Boost ».

Remarque : Le in.clear garde votre niveau de « Boost » en mémoire.

4. À la fin de la période « Boost », vérifiez si le niveau de brome est revenu dans la fourchette des 3 à 5 ppm. Si le niveau de brome est trop bas ou trop haut après la période « Boost », le niveau « Boost » doit être ajusté pour la prochaine utilisation. Par exemple, si le niveau de brome est supérieur à 5 ppm après le « Boost » fixé à 2, abaissez le niveau de « Boost » à 1, la fois suivante. Répétez ces étapes jusqu'à ce que vous soyez en mesure de déterminer le niveau « Boost » idéal pour votre utilisation.

Remarque : Les niveaux « Boost » dépendent du nombre de baigneurs utilisant le spa. Nous vous recommandons de valider le niveau « Boost » après chaque utilisation afin de déterminer le niveau « Boost » idéal selon le nombre de baigneurs.

- ⚠ La modification de la température par défaut de l'eau de votre spa, ou l'utilisation du mode économie, pourrait exiger un ajustement au niveau des réglages du mode maintien de votre unité in.clear. Les températures plus basses peuvent nécessiter un niveau plus bas du mode de maintien que celui des températures plus élevées. Vérifiez votre niveau de brome lorsque vous modifiez le réglage de la température par défaut, ou lorsque vous utilisez le mode économie de votre spa.

Ne modifiez jamais les réglages du mode maintien de votre système in.clear sans allouer un minimum de 24 heures suivant la fin de la période « Boost ». Les cycles « Boost » permettent au niveau de brome résiduel de se stabiliser. Des niveaux de brome en dehors des 3 à 5 ppm peuvent résulter des polluants accumulés après utilisation du spa.

Modèle à connexion directe seulement:

Si le module de contrôle connecté à l'unité in.clear détecte que votre spa est en cours d'utilisation (la pompe ou la soufflerie fonctionne, les lumières sont allumées) pendant cinq minutes sans que le mode « Boost » ne soit activé, ce dernier démarrera automatiquement un « Boost » selon la dernière valeur utilisée. Il ne s'agit que d'une caractéristique de sécurité qui ne doit pas remplacer le réglage « Boost » requis. Un réglage incorrect par rapport au nombre de baigneurs pourrait endommager les pièces du spa ou menacer la santé des baigneurs.



Dépannage



Message d'erreur de niveau BromiCharge bas

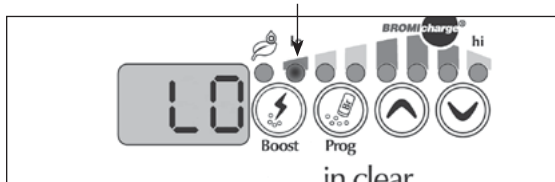
Un message d'erreur de niveau BromiCharge bas (Err) survient lorsque le niveau de BromiCharge est trop faible. L'indicateur DEL Lo clignote en cas d'erreur. Le système in.clear ne générera pas de brome jusqu'à ce que le message d'erreur de niveau bas de BromiCharge (Err) ne disparaisse.

Pour effacer le message d'erreur de niveau bas de BromiCharge (Err), ajoutez du BromiCharge à l'eau du spa. Laissez l'eau circuler pendant cinq minutes. Activez le mode « Diagnostique » et ajoutez du BromiCharge jusqu'à ce que l'indicateur de l'échelle se retrouve à nouveau dans la zone verte. Quittez ensuite le mode « Diagnostique ».



Message « AC » clignotant

Un message « AC » clignotant sur l'écran du clavier indique un problème avec l'alimentation électrique. La raison la plus commune est que l'unité in.clear est branchée à une source de 120 V au lieu d'une de 240 V. Veuillez vous assurer que le câble d'alimentation est bel et bien branché à une source de 240 V.



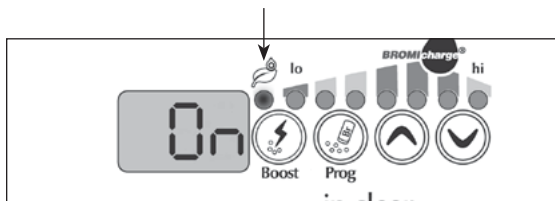
Avertissement de niveau bas de BromiCharge

Un avertissement de niveau de BromiCharge bas (Lo) indique qu'il est nécessaire d'ajouter du BromiCharge à l'eau du spa.

En mode « Diagnostique », ajoutez du BromiCharge à l'eau jusqu'à ce que l'indicateur de l'échelle atteigne la zone verte pour faire disparaître l'avertissement de niveau bas de BromiCharge (Lo).

⚠ Si après avoir ajouté du BromiCharge l'avertissement ou le message d'erreur de niveau de BromiCharge bas (Lo ou Err) demeure affiché à l'écran, cela pourrait résulter en:

- calcification des plaques électrolytiques;
- bulles d'air dans l'unité in.clear ou débit d'eau insuffisant;
- problème avec l'interrupteur de pression interne.



Versión independiente solamente: Indicador de generación de brome clignotant

Le témoin DEL du générateur de brome clignote pour vous informer que le système est incapable de produire du brome puisqu'aucune circulation d'eau n'est détectée par le système in.clear. Cette situation est normale si la pompe n'est pas activée ou si l'eau ne traverse pas le système in.clear. Toutefois, si l'eau circule à travers l'unité in.clear, et que le témoin DEL du générateur de brome clignote toujours, assurez-

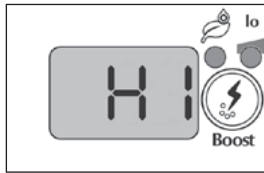
vous que l'unité in.clear est installée du côté de la pression provenant de la pompe et que l'eau traverse bien l'unité in.clear.

Témoin du générateur de brome éteint (OFF)

Le témoin DEL du générateur de brome est éteint lorsque la production de brome n'est pas nécessaire. Cette situation est normale, particulièrement lorsque le niveau de production de brome du mode maintien est réglé à partir du clavier à un niveau bas.



Dépannage



Avertissement de niveau de BromiCharge élevé

Un avertissement de niveau de BromiCharge élevé (Hi) s'affiche lorsque le taux de BromiCharge est trop élevé dans l'eau, ou lorsque le niveau de MDT est très élevé (dureté de l'eau, alcalinité, composés organiques, etc.).

Pour effacer l'avertissement de niveau de BromiCharge élevé, ajustez le niveau de BromiCharge dans l'eau afin que l'indicateur du mode « Diagnostique » se retrouve dans la zone verte en vidant une partie de l'eau de votre spa et en ajoutant de la nouvelle eau.



in.clear éteint

Le message « OFF » indique que le système in.clear n'est pas activé.

Appuyez sur la touche « Boost » pour réactiver le système in.clear.

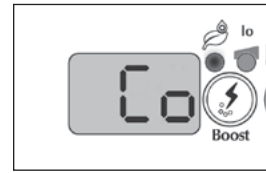


Message « FLO error » (hors du mode « Diagnostique »)

Dans le cas du modèle à connexion directe, le message d'erreur « FLO » s'affiche lorsque le pressostat de l'unité in.clear est ouvert pendant plus de trois minutes et que la pompe qui y est assortie a été mise en marche par le module de contrôle du spa.

Assurez-vous que l'unité in.clear a été reliée à la bonne pompe (sur la pompe de circulation si présente).

Vérifiez que l'unité in.clear a été installée du côté pression de la pompe et que l'eau passe bel et bien par l'unité in.clear.



Message « Communication Error » (erreur de communications)

Le message « Co error » indique que le modèle à connexion directe in.clear est en cours d'utilisation, mais qu'aucun module de contrôle n'est détecté. Assurez-vous que votre module est compatible à l'unité in.clear, que le logiciel utilisé convient et que tous les raccords sont fixés correctement. Si après ces vérifications le message ne disparaît pas, veuillez communiquer avec votre détaillant pour obtenir de l'aide.



Dépannage

Lecture d'un niveau de brome bas ou absence de lecture

Assurez-vous que le niveau maintien est correctement configuré conformément à la procédure décrite dans la section Définir le niveau de maintien. Assurez-vous qu'il n'y a pas de message d'erreur ou d'avertissements à l'écran, que la cellule est activée et que l'eau circule bien à travers la cellule.

Assurez-vous que la chimie de l'eau est équilibrée. Référez-vous à la section Réglage chimique de l'eau du spa pour obtenir plus de détails.

Vérifiez la quantité de phosphates dans l'eau de votre spa pour s'assurer qu'il n'y a pas de contamination. La concentration de phosphates ne devrait jamais dépasser 100 ppb. Les phosphates peuvent être introduits dans l'eau de votre spa par des nettoyants ménagers, savons et lotions.

Changez votre filtre ou nettoyez-le avec un produit nettoyant pour filtres et rincez-le à fond à l'eau froide.

Assurez-vous que la cellule in.clear n'est pas endommagée et qu'aucun dépôt de calcium ou de calcaire n'apparaît sur les plaques de la cellule. Nettoyez votre cellule régulièrement (au moins une fois par année).

Longue période d'ajustement après utilisation

Activez le mode « Boost » au niveau approprié à chaque utilisation du spa. Référez-vous à la section Déterminer le niveau de « Boost ».

Une charge élevée de baigneurs requiert une durée du cycle « Boost » plus longue. Si le niveau de brome est sous les 3 ppm suivant un cycle en mode « Boost », réactivez le mode « Boost » pour permettre une régénération de la banque de brome entre 3 et 5 ppm.

La banque de brome doit toujours être régénérée après un cycle « Boost ». Si un cycle « Boost » au niveau élevé ne régénère pas la banque de brome comme il se doit, augmentez la durée de filtration quotidienne.

Une production de brome inadéquate après avoir suivi toutes les instructions précédentes pourrait être causée par des dépôts appelés biofilms. Des produits nettoyants tels que le Sea Klear Spa System Flush, le Swirl Away ou le National Chemistry Spa Purge sont efficaces pour enlever les biofilms.

Questions fréquentes

Q: Pourquoi l'eau de mon spa est-elle trouble/huileuse?

R: Si l'eau de votre spa devient trouble ou huileuse à cause du nombre de baigneurs, démarrez un cycle « Boost » supplémentaire et attendez 24 heures avant d'évaluer à nouveau l'état de votre eau. Si le problème persiste, consultez un détaillant de spa/piscine afin de faire ajuster l'équilibre chimique de votre eau.

Q: Le bromure de sodium s'évapore-t-il?

R: Non. Le bromure de sodium n'est perdu que lors d'éclaboussures ou de fuites ou lorsque le spa est vidé.

Q: Quels produits dois-je utiliser pour nettoyer mon spa?

R: Utilisez toujours un nettoyant sans action savonneuse moussante que vous pourrez obtenir chez votre détaillant de spa.

Q: Lorsque l'unité de génération de brome in.clear ne fonctionne pas, est-ce que le bromure de sodium continue à assainir mon spa?

R: Non. Le système in.clear n'assainit pas le spa s'il est inactif. S'il y a encore du brome dans l'eau, le brome continue d'assainir l'eau du spa. Le système in.clear peut être arrêté à certains moments et le spa restera propre et clair.

Le bromure de sodium est converti en brome en traversant les électrodes du système in.clear et lorsque la pompe associée à l'unité in.clear est en marche.



Glossaire

MDT

Les matières dissoutes totales (MDT) représentent la concentration totale de toutes substances inorganiques et organiques contenues dans un liquide et qui sont présentes en suspension sous une forme moléculaire, ionisée ou microgranulée (sol colloïdal).

pH

Le pH (potentiel hydrogène) est une mesure de l'acidité ou de la basicité d'une solution.

PPM

L'expression « parties par million » est utilisée pour désigner une proportion relative ou un ratio comparatif pour une quantité donnée.

L'expression « 1 ppm » signifie qu'une propriété donnée existe dans une proportion relative d'une partie par million de parties examinées, comme cela se produirait si un polluant d'origine hydrique était présent dans une concentration d'un millionième de gramme par échantillon d'un gramme d'une solution aqueuse donnée.

Alcalinité totale (AT)

L'alcalinité totale ou AT est une mesure de la capacité d'une solution (telle que l'eau) à neutraliser des acides jusqu'au point d'équivalence du carbonate ou du bicarbonate.

Dureté calcique (DC)

La dureté calcique est un indicateur de la concentration de calcium dans l'eau de votre spa.

Dureté totale (DT)

La dureté totale est un indicateur de la concentration de calcium et de magnésium dans l'eau de votre spa.

Matières organiques

Substances laissées par les utilisateurs du spa telles que l'huile, la sueur et les cellules de peau mortes qui servent de « nourriture » aux bactéries.

Charge de baigneurs

Ce terme est utilisé pour désigner le nombre d'utilisateurs d'un spa, tout en tenant compte de la durée et de la fréquence d'utilisation. Plus l'utilisation d'un spa augmente, plus la quantité de produits chimiques nécessaire au maintien de la même qualité d'eau de votre spa s'accroît.



Nettoyage de la cellule

Le système in.clear comporte une fonction autonettoyante afin de prévenir les dépôts de tartre sur les électrodes de graphite du système in.clear. Des dépôts pourraient quand même se former en raison d'une eau dure. Si cela se produit, la cellule devra être nettoyée dans une solution acide.

L'alimentation électrique doit être complètement coupée avant que la procédure ne soit effectuée.

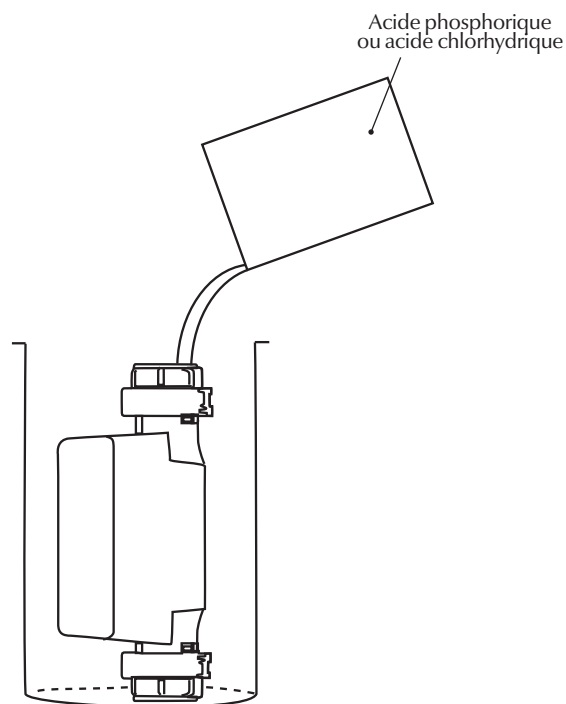
Débranchez le câble de communication et le câble d'alimentation de l'unité in.clear.

Pour nettoyer la cellule de l'unité in.clear, veuillez suivre ces étapes :

- Pour enlever le tartre de la cellule, nous recommandons d'utiliser de l'acide phosphorique (non dilué) comme agent de nettoyage.
- Fermez les robinets d'arrêt du spa. Dévissez les deux robinets fixés à l'unité et retirez la cellule du compartiment à équipement du spa.
- Installez la rondelle de caoutchouc et l'écrou de plastique sur l'embout fileté de la cellule. Serrez fermement l'écrou de plastique.
- Placez la cellule en position verticale avec l'embout fermé au fond d'un seau de plastique de 19 litres (5 gallons US) et versez avec précaution la solution acide dans la cellule jusqu'à ce que les quatre plaques soient recouvertes (faites attention de ne pas causer de débordement). La solution acide commencera à produire des bulles et à nettoyer les électrodes.

Le moussage qui suit est causé par la dissolution du tartre sur les plaques. Si vous ne voyez qu'un faible moussage, cela signifie que la cellule n'a pas besoin d'être nettoyée. Rincez et réinstallez ensuite la cellule.

- Laissez les électrodes dans la solution jusqu'à ce que le moussage soit terminé. Le séjour des électrodes dans l'acide NE doit cependant PAS durer plus de quinze minutes. Un nettoyage à l'acide excessif endommagera la cellule électrolytique.
- Versez la solution acide dans le seau et rincez la cellule complètement avec de l'eau propre du robinet. Si le tartre est encore visible, répétez la procédure pendant un maximum de quinze minutes (il se peut qu'il faille ajouter une certaine quantité d'acide à la solution).
- Retirez l'écrou en plastique et la rondelle de la cellule et conservez-les pour les nettoyages ultérieurs.
- Rincez le système in.clear avec de l'eau fraîche.
- Réinstallez l'unité in.clear dans la tuyauterie du système et serrez manuellement tous les raccords. Ouvrez les robinets d'arrêt du spa.



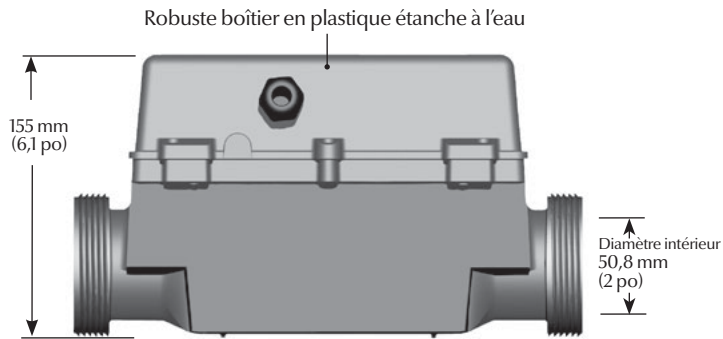
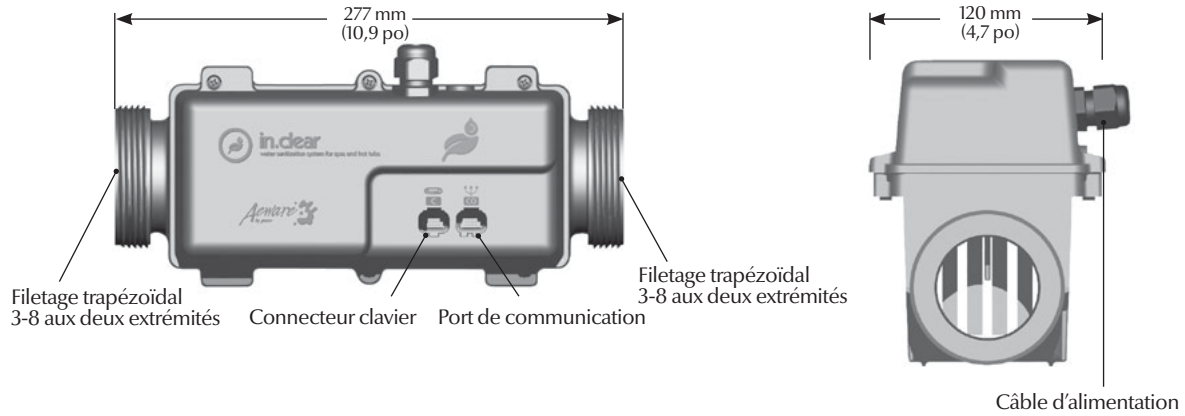
- Rebranchez le clavier et le câble d'alimentation.
- Mettez le système sous tension et faites démarrer la pompe. Vérifiez sur le clavier que le témoin DEL du générateur de brome est allumé et que son fonctionnement normal a repris.

- ⚠ Référez-vous aux instructions du fabricant concernant l'acide.
- ⚠ Portez des lunettes de protection et des gants en caoutchouc pendant la procédure. L'acide éclaboussé ou renversé peut causer des blessures graves ou des dommages matériels.
- ⚠ Travaillez toujours dans un environnement bien aéré.
- ⚠ Ajoutez toujours de l'acide à l'eau, et jamais de l'eau à l'acide.
- ⚠ Ne versez pas d'acide à l'extérieur de l'unité là où se trouvent les connecteurs.
- ⚠ N'utilisez jamais d'acide acétique pour nettoyer la cellule puisque cela pourrait endommager les composants de la cellule de façon permanente et annuler la garantie.

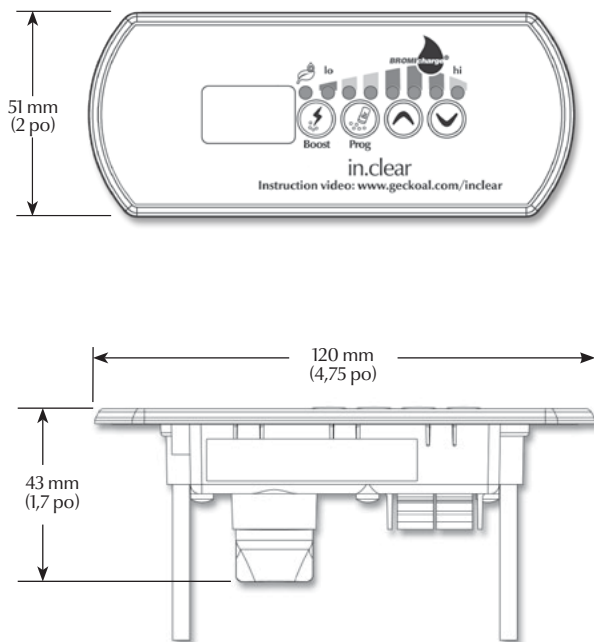


Dimensions

Dimensions de l'unité in.clear



Dimensions du clavier in.k200





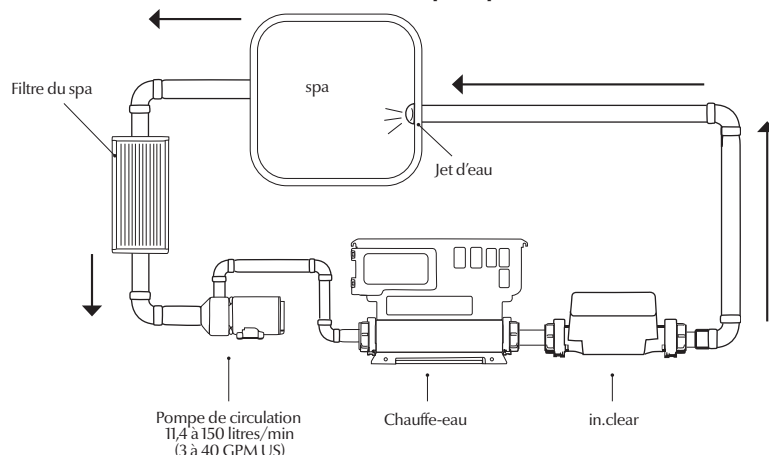
Installation

Installation du système in.clear

Avertissements!

- ⚠ L'unité in.clear doit être installée sur la tuyauterie de la pompe de circulation lorsqu'il y en a une.
- ⚠ Nous recommandons de ne pas installer l'unité in.clear sur un spa équipé d'une pompe à deux vitesses. Le système in.clear fonctionne seulement lorsque la pompe est en marche, ainsi la pompe à deux vitesses devra fonctionner un minimum de 8 à 10 heures par jour pour produire la quantité optimale de brome. Faire fonctionner une grosse pompe pour une telle période de temps peut être difficile en eau chaude sans surchauffer le spa.
- ⚠ Le système in.clear devrait être installé du côté de la pression, avec un débit d'eau de 11,4 à 151 litres/min (3 à 40 GPM US). Il est important de ne pas dépasser 151 litres/min (40 GPM US) afin de prévenir l'usure excessive des électrodes et le bris de votre unité in.clear.
- ⚠ Assurez-vous que la tuyauterie n'est pas pliée ou coincée empêchant ainsi l'eau de circuler.
- ⚠ L'eau doit circuler du bas vers le haut si l'unité est installée verticalement.
- ⚠ Si le débit d'eau est inférieur à 11,4 l/min (3 GPM) et que l'unité in.clear est installée horizontalement, une poche d'air peut se former sur le dessus cela peut réduire la performance de l'appareil. Dans ce cas, montez la sortie d'eau d'environ 1 po.
- ⚠ Nous déconseillons d'installer le modèle à connexion directe à un dispositif de récupération de la chaleur puisque l'unité in.clear déclenche la filtration et risquerait de faire augmenter la température de l'eau au-delà de la valeur de réglage.

Fig. A : Plan d'installation de l'unité in.clear avec pompe de circulation



Remarque : la pression dans les tuyaux doit être d'au moins 3 PSI quand l'eau circule.

Installation du système in.clear avec le support

Ce support peut être utilisé aussi bien pour le montage au sol qu'au mur.

L'ensemble contient les vis requises pour fixer l'appareil au support. Les vis servant à fixer le support au spa ne sont pas incluses.

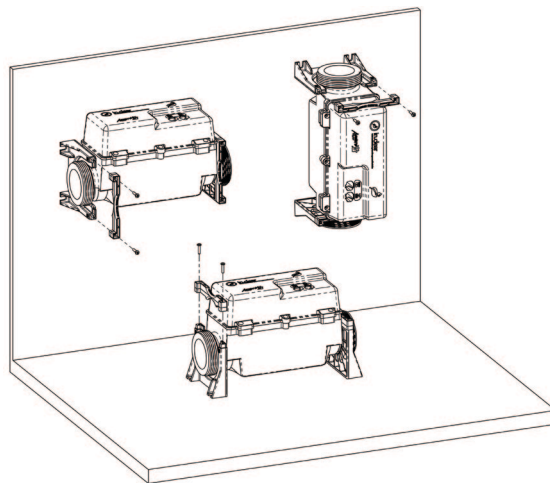


Le matériel suivant est recommandé :

4 vis no 10 de longueur appropriée à tête ronde, bombée ou cylindrique bombée.

4 rondelles 12mm OD x 1,5 mm d'épaisseur (1/2" OD x 1/16").

Choisissez l'endroit où vous voulez installer l'unité in.clear et fixez solidement chaque support à la base de bois à l'aide des deux vis et rondelles.

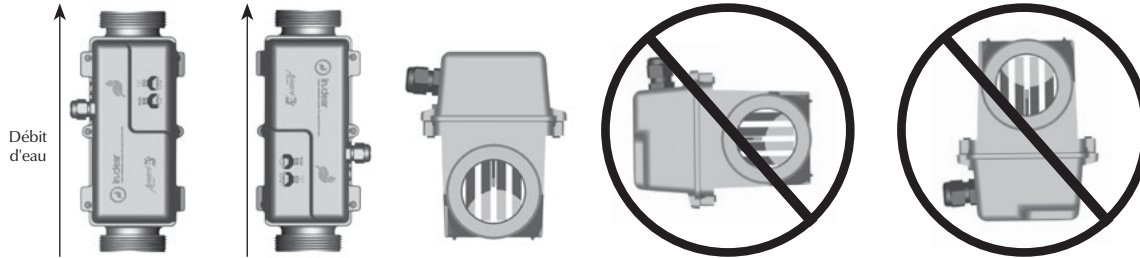


Montage au sol ou au mur



Installation

Le lieu et la méthode d'installation de l'unité in.clear peuvent dépendre de la configuration de la tuyauterie de votre spa.



1. Fixez solidement l'appareil en place et raccordez-le à la plomberie.



Utilisez des adaptateurs pour connecter le système in.clear à une tuyauterie de 19 mm (3/4 po), ou la connecter directement à une tuyauterie de 50 mm (2 po).



Pour une connexion optimale à la plomberie de votre spa, prendre note que nous recommandons les raccords à compression et les écrous illustrés.



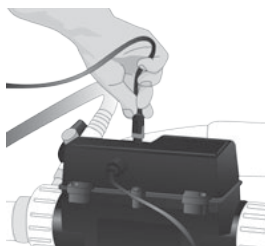
Faites glisser les deux écrous de plastique sur les extrémités filetées de l'unité in.clear et serrer les écrous.

⚠ Serrez à la main!
N'utilisez pas d'outils électriques!

- L'unité in.clear doit être installée avant que le spa ne soit rempli d'eau.
- Le système in.clear peut être installé verticalement ou horizontalement.
- L'unité in.clear doit être installé du côté pression de la pompe de circulation (voir Fig. A pour les détails).
- Installer des valves des deux côtés de l'unité in.clear peut rendre l'entretien plus facile.

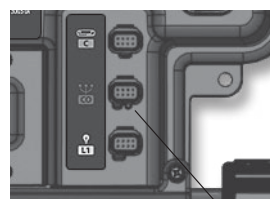
2. Installez le clavier sur le spa (voir le guide d'installation de l'unité in.k200)

3. Connectez le clavier et les accessoires à basse tension, puis raccordez l'alimentation électrique



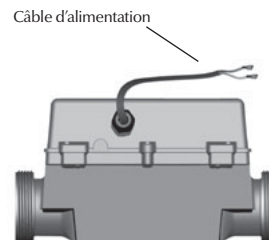
Branchez le clavier in.k200 dans la prise de l'unité in.clear prévu à cet effet.

Modèle à connexion directe seulement :
Branchez le câble à basse tension au connecteur in.link dans la prise CO du module. Si un accessoire y est déjà branché, rebranchez ce dernier dans la prise CO de l'unité in.clear.



Connecteur de communication

Branchez le câble d'alimentation dans la sortie non commutée du module du spa.



⚠ L'unité in.clear doit être protégée par le même dispositif de coupure différentiel (GFCI) que le système du spa.

⚠ L'entrée doit être de 240 V. Un message « AC » clignotant sur le clavier indique que le signal d'entrée n'est pas de 240 V, mais est probablement de 120 V. Veuillez vérifier la connexion.



Installation

Installation du clavier in.k200

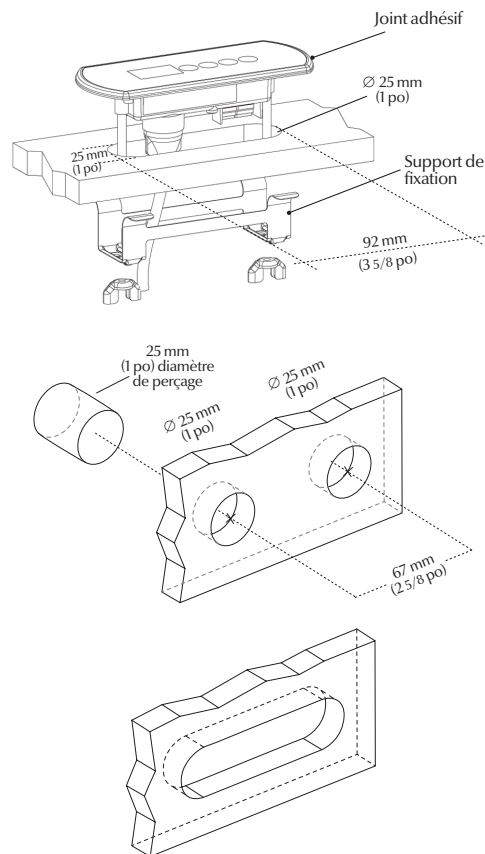
Le clavier doit être installé directement sur le spa (ou très près de celui-ci) de façon à ce qu'il soit facilement accessible pour l'utilisateur. Dans le cas d'un spa avec jupe, le clavier doit être placé directement sur un panneau du spa (assurez-vous que l'utilisateur puisse y avoir facilement accès).

- Pour installer le clavier in.k200, percez deux trous de 25 mm (1 po) de diamètre à une distance de 67 mm (2 5/8 po) entre chaque centre, tel qu'illustré.
- Dans le cas d'un **spa avec jupe**, commencez par percer les trous centraux en utilisant des forets de 3 mm (1/8 po), en perçant sur le côté fini d'un panneau du spa afin de prévenir l'écaillage de la surface. En utilisant une perceuse appropriée, percez lentement deux trous de 25 mm (1 po) de diamètre à 67 mm (2 5/8 po) de distance entre chaque centre, comme illustré.
- Coupez le matériel entre les deux trous (voir l'illustration).
- Nettoyez la surface où l'unité sera installée et acheminez le câble du clavier à partir de l'ouverture découpée dans la paroi jusqu'à l'unité in.clear.
- Décollez la bande de protection recouvrant le joint adhésif à l'arrière du clavier, insérez le clavier et alignez-le correctement, puis assurez-vous qu'il est bien collé en poussant légèrement, mais de façon uniforme sur toute la surface.

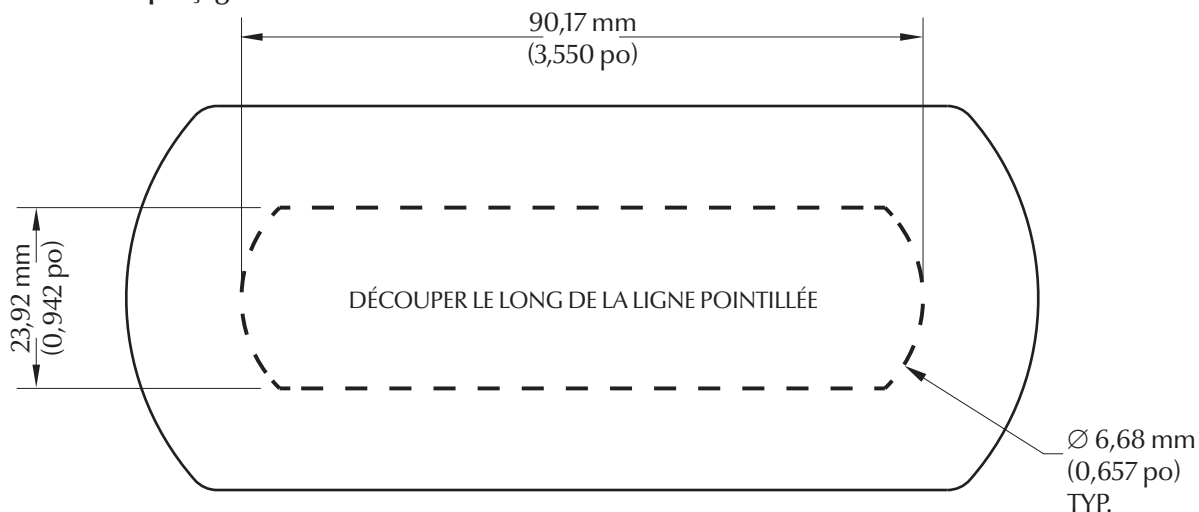
Si le clavier est équipé d'une plaque de support facultative, retirez les deux écrous à oreilles à l'arrière du clavier ainsi que la plaque de support.

Insérez le clavier dans l'ouverture que vous avez découpée. Remettez le support de fixation et les écrous à oreilles sur leur boulon respectif et fixez solidement le clavier (voir l'illustration).

*Remarque : L'installateur doit s'assurer qu'il n'y a aucune obstruction (câbles, tuyaux, etc.) sous la plateforme à l'endroit choisi pour le trou.
Remarque : Si l'emplacement choisi pour l'installation n'est pas parfaitement à niveau (une surface en bois, par exemple), poser un joint en silicone entre le point d'installation et l'arrière de l'unité pour assurer une étanchéité adéquate autour de l'unité.*



Gabarit de perçage du clavier in.k200





Spécifications

Spécifications générales pour le système in.clear

Environnementales :

Température de fonctionnement :	0°C (32°F) à 50°C (122°F)
Température d'entreposage :	-25°C (-13°F) à 85°C (185°F)
Humidité :	jusqu'à 85 % HR, sans condensation
Indice de protection de l'eau :	IPx5

Spécifications électriques de l'unité in.clear :

Consommation :	230 à 240 V nominal (+ 5/- 10 %)
Fréquence :	50/60 Hz nominal (+ 1, 5/- 1,0 Hz).
Courant nominal :	0,09 A (90 mA)

in.clear - débit :	Débit minimal requis de 11,4 litres/min (3 GPM américains) Débit maximal permis de 151 litres/min (40 GPM américains)
in.clear - pression :	207 kPa (30 psi) maximum

Spécifications mécaniques :

Poids :	2,25 kg (5,0 lb)
Dimensions (L x H x P) :	Boîtier : 276,2 mm x 153,6 mm x 119 mm (10,875 po x 6,046 po x 4,682 po)

Amérique du Nord :

UL 1081 sixième éd., UL 1563 cinquième éd.

File : E305676

CSA No 22.2 - 108-01 4e éd.

EPA Reg. No. 8622-69-73578

EPA Reg No. 69470-wv-2

No d'homologation 29628 Loi sur les produits antiparasitaires du Canada



Europe :

EN/IEC 60335 - 2 - 60 : 2003/2002

EN/IEC 60335 - 1 : 2002/2001 (dont corrections et amendements jusqu'en 2006)

EN 55014-1

EN 55014-2

EN 61000-3-2

EN 61000-3-3



Australie / Nouvelle-Zélande :

AS/NZS 60 335.2.60 : 2006+A1

Spécifications générales pour le clavier in.k200

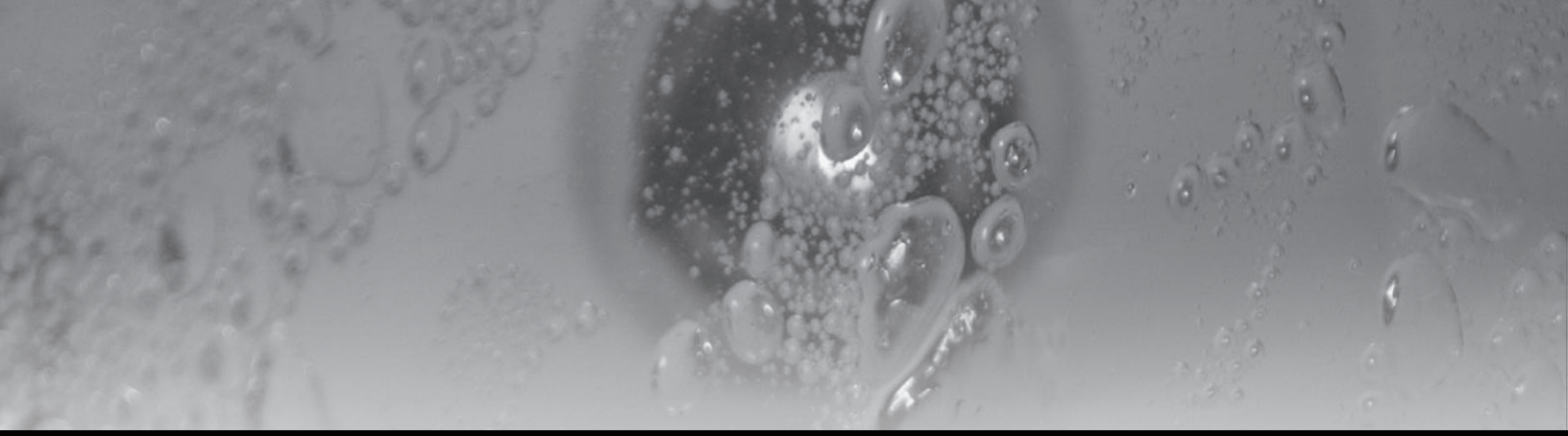
Environnementales :

Température d'entreposage :	-30°C (-22°F) à 70°C (158°F)
Température de fonctionnement :	-20°C (-4°F) à 60°C (140°F)
Humidité :	condensation 100 %

Spécifications mécaniques :

Poids :	0,41 kg (0,9 lb)
Dimensions (L x H x P) :	Panneau avant : 120 mm x 51 mm x 43 mm (4,75 po x 2 po x 1,7 po) Joint souple
Normes :	Résistance aux rayons UV (ASMT D4329) UL, CSA, TUV et CE

Les spécification et le design sont sujets à changement sans préavis.



9919-101186-D
Rev. 07-2014

© Groupe Gecko Alliance Inc., 2014
All trademarks or registered trademarks
are the property of their respective owners.

Gecko Alliance
450 des Canetons, Quebec City, QC, G2E 5W6 Canada, 1.800.78.GECKO
www.geckoalliance.com

Printed in Canada 07-2014